

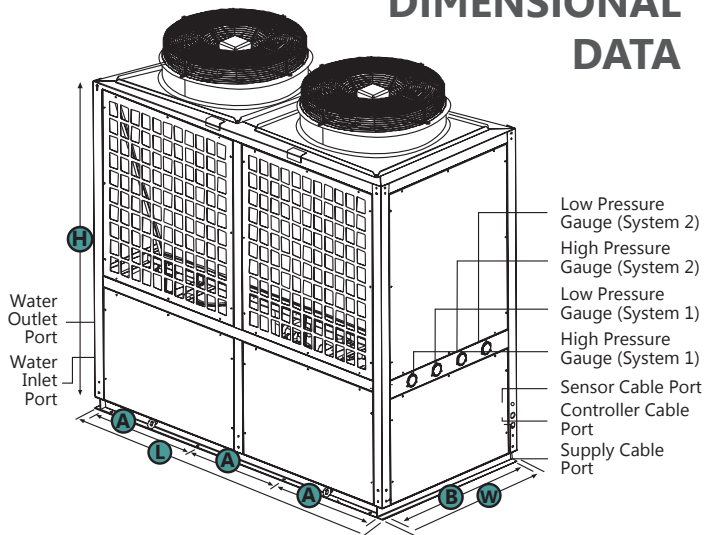
# CGB-105-V / 105kW Output Constant Temperature Heat Pump



## PRODUCT IMAGE



## DIMENSIONAL DATA



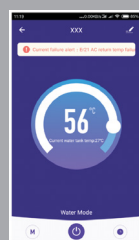
- A** Distance between supports - 600mm
- L** Length - 2000mm
- B** Width / Inc the supports- 946mm
- W** Width - 980mm
- H** Height - 2060mm

## SPECIAL FEATURES

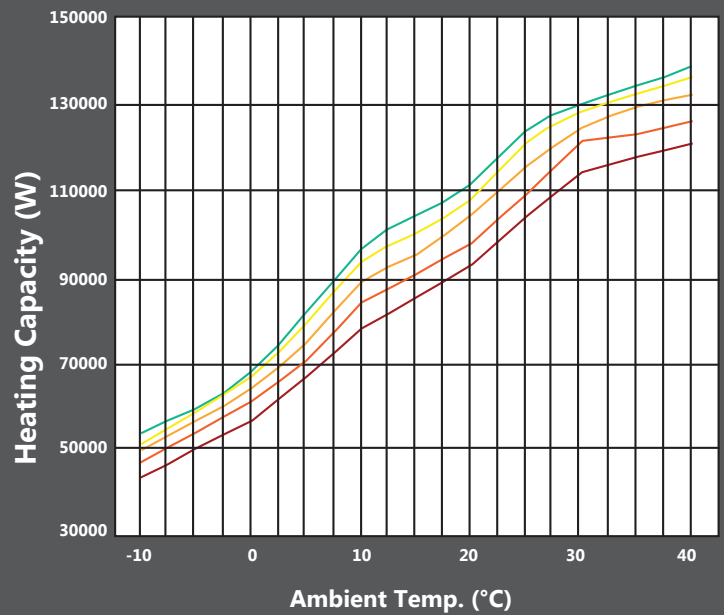
SMART LDC TOUCH SCREEN CONTROLLER



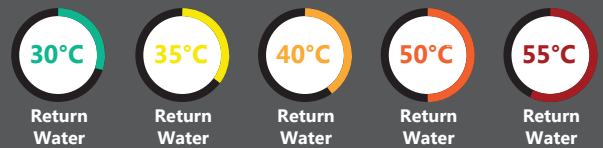
WI-FI ENABLED  
CONNECT TO SMART APP VIA  
YOUR MOBILE DEVICE



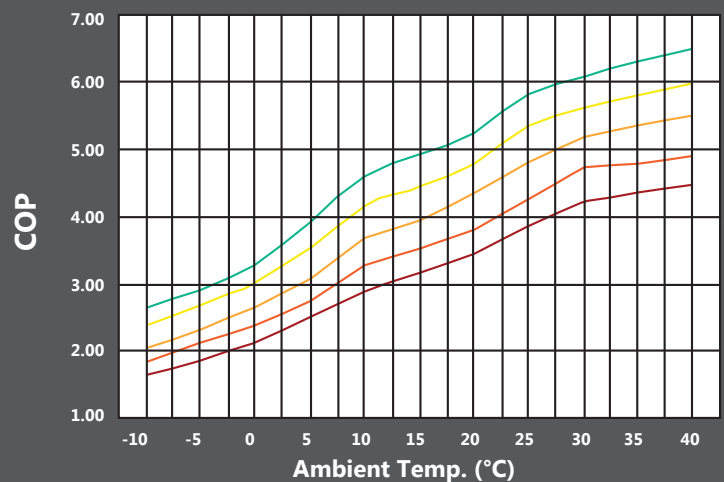
## HEATING CAPACITY



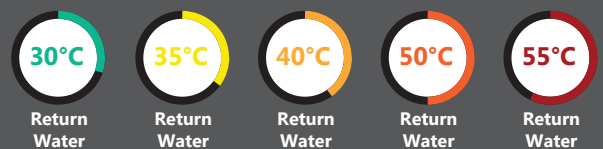
MEASURING CONDITION: Dry/Wet bulb temp. 20°C/15°C ; water inlet/outlet temp. 15°C/55°C



## COEFFICIENT OF PERFORMANCE (COP)



MEASURING CONDITION: Dry/Wet bulb temp. 20°C/15°C ; water inlet/outlet temp. 15°C/55°C



# CGB-105-V / 105kW Output Constant Temperature Heat Pump



OPERATIONAL DATA				
OPERATING DATA	<b>Heating Capacity</b>		kW	105
	<b>Power</b>	Power Supply	Ph-V-Hz	380V/3PH/50HZ
		Rated Input Consumption	kW	25.7
		Max Input Consumption	kW	35.98
		Rated Input Current	A	45.99
		Max Input Current	A	64.39
		Starting Current	A	200
		COP	W/W	4.09
	<b>Max Water Temp Setpoint</b>		°C	65
	<b>Max Outlet Water Temp</b>		°C	65
<b>Hot Water Yield</b>		L/h	2257	
<b>Recommended Water Flow</b>		m³/h	18.0	
<b>Working Temp (Ambient)</b>		°C	-10°C~43°C	

GENERAL & PARTS DATA					
GENERAL & PARTS DATA	<b>Compressor</b>	Model		VR190KS-TPF-522	
		Type / Brand		Scroll / Copeland	
		Compressor Qty	PCS		2
		Capacity	A		45.6
		Locked Rotor Amp	A		150
		Thermal Protector			Inner
	Capacitor	µF		None	
	<b>Fan Motor</b>	Model			YWF.A6T-710S-7F1IIIS10 / DUNLI
		Input	W		1000
		Capacitor	µF		None
		Speed	r/min		900
		Diameter of Fans	mm		710
		Air Flow	m³/h		13500 (Per Fan)
	Fan Motor Qty	PCS		2	
	<b>Heat Exchanger</b>	Type			Copper Tube in Shell
		Qty	PCS		2
		Model			15
		Diameter of Copper Pipe	mm		2 x 25.4
	<b>Evaporator</b>	Number of Rows			3
		Tube Pitch(a)x Row Pitch(b)	mm		25x22
		Fin Spacing	mm		2.2
		Fin Type			Hydrophilic Aluminum
		Tube Outer Diameter & Type	mm		Ø9.52 Innergroove Tube
		Coil Length x Width x Height	mm		2 x 1740x66x1000
	Number of Circuits			2 x 10	
	<b>Four-Way Valve</b>	Model / Brand			STF-1511G / Saginomiya
	<b>AC Contactor</b>	Model / Brand			3TF3500-0X/AC220V / Siemens
	<b>Expansion Device</b>	Type			Thermostatic Expansion Valve
	<b>Wire Controller</b>	Model / Brand			TGEX-15(067N2161) / Danfoss
		Type			Intelligent Touch Screen
Part Number				O01T0089	
The Length of Control Cable		m		12	
<b>Water System</b>	Set Temp.	°C		30~65	
	Materials of Water Pipe			Copper	
	Water Flow	m³/h		18.0	
	Water Pressure Differential	Kpa		60	
	Water Inlet Connection Size	mm		DN50 / Female	
Water Outlet Connection Size	mm		DN50 / Female		
<b>Refrigerant HP &amp; LP Safety Cut-Out Pressure</b>		Mpa		2.8/0.02	
<b>Refrigerant</b>	Gas Type			(R417A)	
	Gas Weight	g		2 x 7200g	
<b>Sound Pressure Level</b>		dB(A)		71	
<b>Dimensions</b>	Dimension(L*W*H)	mm		2000x980x2060	
	Packing(L*W*H)	mm		2130x1100x2260	
	NG/WG	kg		620/710	