

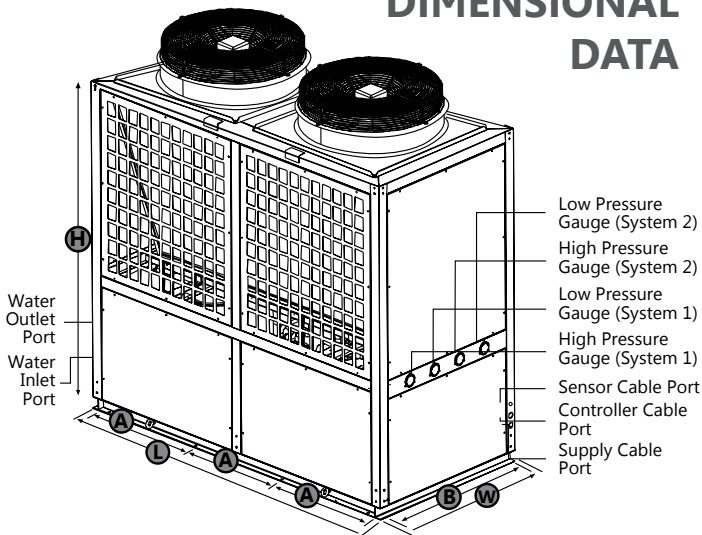
# HGB-068-V / 68kW Output High Temperature Heat Pump



## PRODUCT IMAGE



## DIMENSIONAL DATA



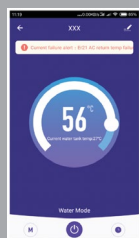
- A** Distance between supports - 600mm
- L** Length - 2000mm
- B** Width / Inc the supports - 946mm
- W** Width - 980mm
- H** Height - 1960mm

## SPECIAL FEATURES

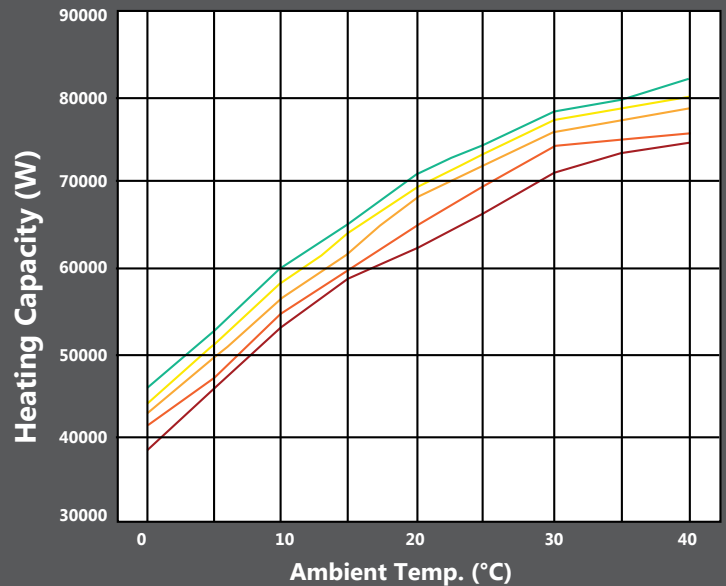
SMART LDC TOUCH SCREEN CONTROLLER



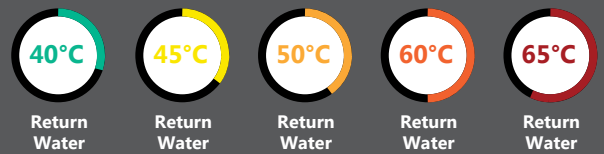
WI-FI ENABLED  
CONNECT TO SMART APP VIA  
YOUR MOBILE DEVICE



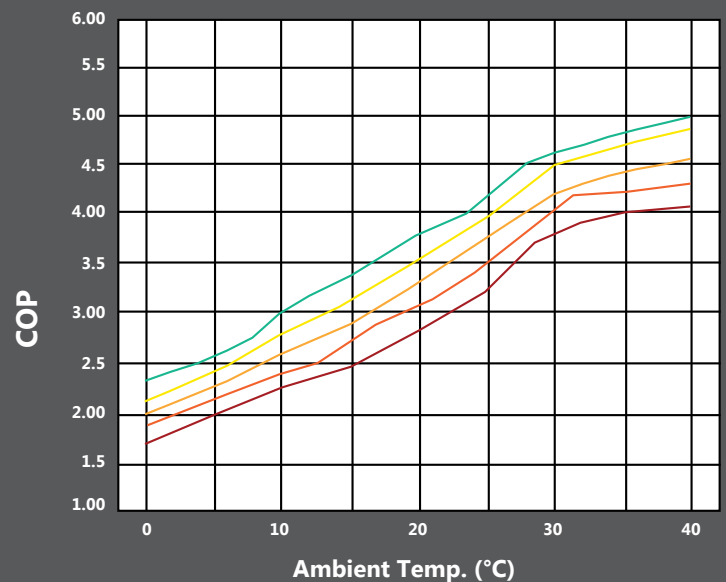
## HEATING CAPACITY



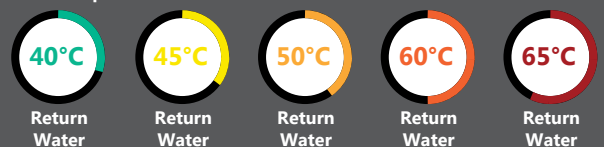
MEASURING CONDITION: Dry/Wet bulb temp. 20°C/15°C ; water inlet/outlet temp. 15°C/65°C



## COEFFICIENT OF PERFORMANCE (COP)



MEASURING CONDITION: Dry/Wet bulb temp. 20°C/15°C ; water inlet/outlet temp. 15°C/65°C



# HGB-068-V / 68kW Output High Temperature Heat Pump



OPERATIONAL DATA				
OPERATING DATA	<b>Heating Capacity</b>		kW	68
	<b>Power</b>	Power Supply	Ph-V-Hz	380V/3PH/50HZ
		Rated Input Consumption	kW	20
		Max Input Consumption	kW	30
		Rated Input Current	A	34.44
		Max Input Current	A	51.65
		Starting Current	A	134
		COP	W/W	3.40
	<b>Max Water Temp Setpoint</b>		°C	70
	<b>Max Outlet Water Temp</b>		°C	75
<b>Hot Water Yield</b>		L/h	1169	
<b>Recommended Water Flow</b>		m³/h	11.7	
<b>Working Temp (Ambient)</b>		°C	-15°C~43°C	

GENERAL & PARTS DATA					
GENERAL & PARTS DATA	<b>Compressor</b>	Model		VR160KSE	
		Type / Brand		Scroll / Copeland	
		Compressor Qty	PCS		2
		Locked Rotor Amp	A		100
		Thermal Protector			Inner
		Capacitor	µF		None
	<b>Fan Motor</b>	Model			YWF.A6T-710S-7DIII500 / DUNLI
		Input	W		1000
		Capacitor	µF		/
		Speed	r/min		900
		Diameter of Fans	mm		710
		Air Flow	m³/h		13500 (Per Fan)
		Fan Motor Qty	PCS		2
	<b>Heat Exchanger</b>	Type			Copper Tube in Shell
		Qty	PCS		2
		Model / Brand			15 / Tuoqiu
	<b>Evaporator</b>	Diameter of Copper Pipe	mm		25.4x2
		Number of Rows			3
		Tube Pitch(a)x Row Pitch(b)	mm		25x22
		Fin Spacing	mm		2.2
		Fin Type			Hydrophilic Aluminum
		Tube Outer Diameter & Type	mm		Ø9.52 Innergroove Tube
		Coil Length x Width x Height	mm		2 x 1740x66x900
	<b>Four-Way Valve</b>	Number of Circuits			9 x 2
		Model / Brand			STF-1511G / Saginomiya
	<b>Expansion Device</b>	QTY			2
		Model / Brand			TGEN-8 067N5159 / Danfoss
	<b>Wire Controller</b>	Type			Thermostatic Expansion Valve
		Type			Intelligent Touch Screen
		Part Number			O01T0089
		The Length of Control Cable	m		12
	<b>Water System</b>	Set Temp.	°C		30~75
Materials of Water Pipe				Copper	
Water Flow		m³/h		11.7	
Water Pressure Differential		Kpa		60	
Water Inlet Connection Size		mm		DN50 / Female	
<b>Refrigerant HP &amp; LP Safety Cut-Out Pressure</b>	Water Outlet Connection Size	mm		DN50 / Female	
			Mpa	2.85/0.02	
<b>Refrigerant</b>	Gas Type			(R134A)	
	Gas Weight	g		2 x 6500g	
<b>Sound Pressure Level</b>			dB(A)	70	
<b>Dimensions</b>	Dimension(L*W*H)	mm		2000x980x1960	
	Packing(L*W*H)	mm		2130x1100x2150	
	NG/WG	kg		600/690	