

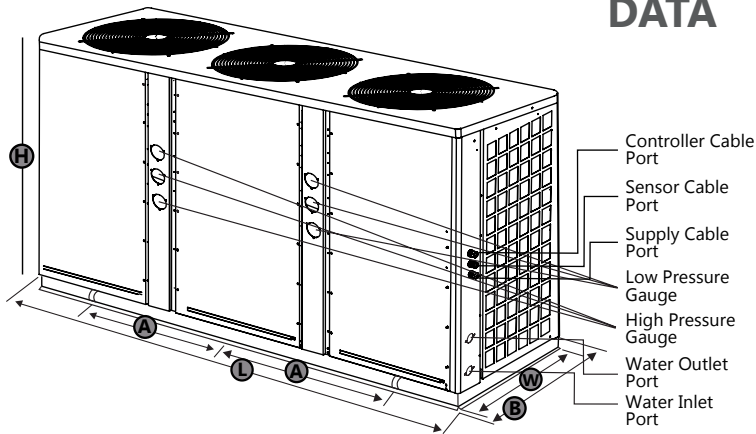
HGB-046-S / 46kW Output High Temperature Heat Pump



PRODUCT IMAGE



DIMENSIONAL DATA



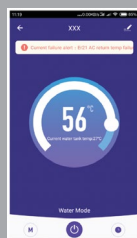
- A** Distance between supports - 757.5mm
- L** Length - 2150mm
- B** Width / Inc the supports - 680mm
- W** Width - 765mm
- H** Height - 1290mm

SPECIAL FEATURES

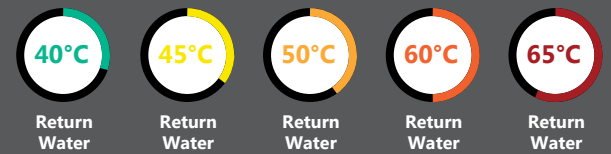
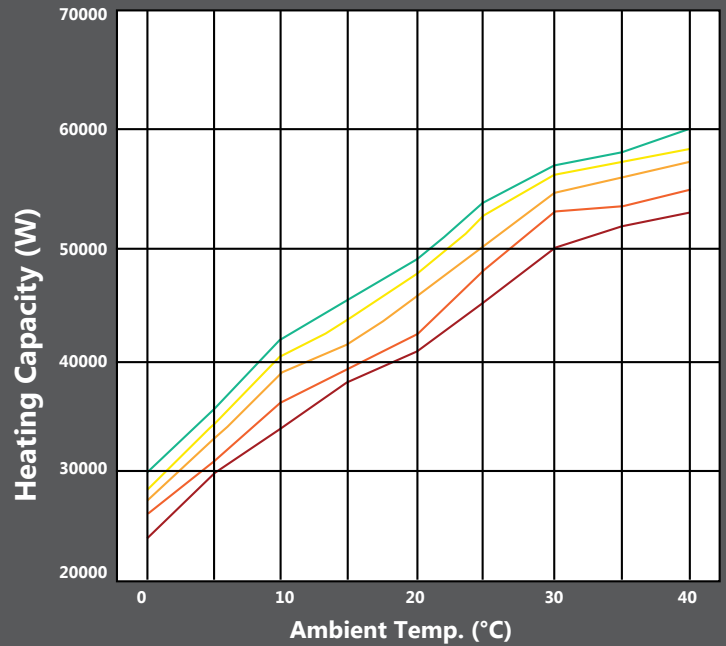
SMART LDC TOUCH SCREEN CONTROLLER



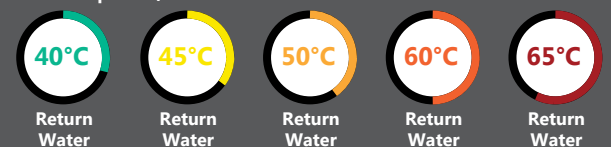
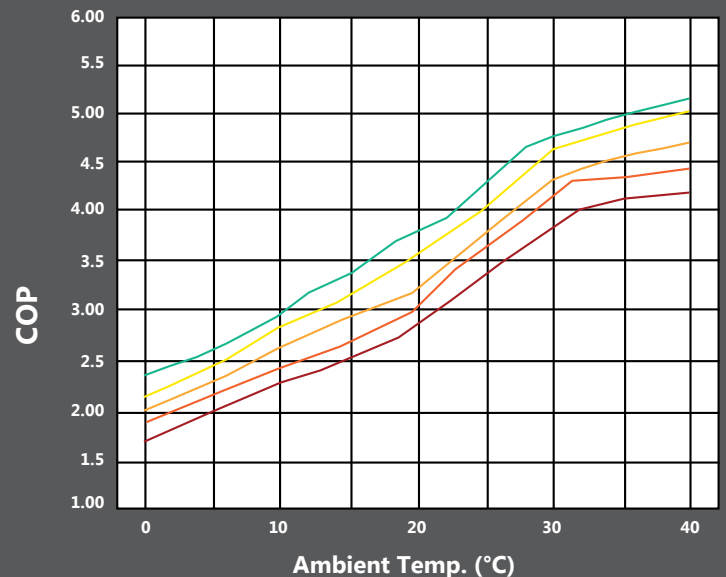
WI-FI ENABLED
CONNECT TO SMART APP VIA
YOUR MOBILE DEVICE



HEATING CAPACITY



COEFFICIENT OF PERFORMANCE (COP)



HGB-046-S / 46kW Output High Temperature Heat Pump



OPERATIONAL DATA				
OPERATING DATA	Heating Capacity		kW	46
	Power	Power Supply	Ph-V-Hz	380V/3PH/50HZ
		Rated Input Consumption	kW	13.5
		Max Input Consumption	kW	20.25
		Rated Input Current	A	23.24
		Max Input Current	A	34.87
		Starting Current	A	81
		COP	W/W	3.41
	Max Water Temp Setpoint		°C	70
	Max Outlet Water Temp		°C	75
Hot Water Yield		L/h	791	
Recommended Water Flow		m³/h	7.9	
Working Temp (Ambient)		°C	-15°C~43°C	

GENERAL & PARTS DATA					
GENERAL & PARTS DATA	Compressor	Model		ZW72KAE-TFP-52E	
		Type / Brand		Scroll / Copeland	
		Compressor Qty	PCS		3
		Locked Rotor Amp	A		58
		Thermal Protector			Inner
		Capacitor	µF		None
	Fan Motor	Model			YDK-160G-6 / HELONG
		Input	W		320
		Capacitor	µF		10
		Speed	r/min		800/500
		Diameter of Fans	mm		556
		Air Flow	m³/h		7000 (Per Fan)
		Fan Motor Qty	PCS		3
	Heat Exchanger	Type			Copper Tube in Shell
		Qty	PCS		3
		Model / Brand			7P / Gimleo
	Evaporator	Diameter of Copper Pipe	mm		19
		Number of Rows			2
		Tube Pitch(a)x Row Pitch(b)	mm		25x22
		Fin Spacing	mm		1.8
		Fin Type			Hydrophilic Aluminum
		Tube Outer Diameter & Type	mm		Ø9.52 Innergroove Tube
		Coil Length x Width x Height	mm		3 x 935x44x1200
	Four-Way Valve	Number of Circuits			21
		Model / Brand			STF-0408G / Saginomiya
	Expansion Device	QTY			3
		Model / Brand			AAE4MC + Capillary / Emerson
	Wire Controller	Type			Thermostatic Expansion Valve
		Type			Intelligent Touch Screen
		Part Number			O01T0089
		The Length of Control Cable	m		12
	Water System	Set Temp.	°C		30~75
Materials of Water Pipe				Copper	
Water Flow		m³/h		7.9	
Water Pressure Differential		Kpa		55	
Water Inlet Connection Size		mm		DN50 / Female	
Refrigerant HP & LP Safety Cut-Out Pressure	Water Outlet Connection Size	mm		DN50 / Female	
		Mpa		2.85/0.02	
Refrigerant	Gas Type			(R134A)	
	Gas Weight	g		3 x 3700g	
Sound Pressure Level		dB(A)		63	
Dimensions	Dimension(L*W*H)	mm		2150x765x1290	
	Packing(L*W*H)	mm		2250x865x1450	
	NG/WG	kg		428/490	