

**SPECIFICATION / DATA**



**SPECIFICATION &  
DATA SHEET**

**75°C**

**HGB RANGE  
HIGH TEMPERATURE  
HEAT PUMPS**

**INNOVATION  
SATISFACTION  
INTEGRITY  
INVOLVEMENT**

**GREENBRO**   
ENDORSED BY NATURE®

**75°C** HGB RANGE

**“EXPERIENCE THE ECO-EFFICIENT  
COMFORT OF GREENBRO HEAT  
PUMP SOLUTIONS!”**



**GREENBRO** 

ENDORSED BY NATURE®



# INDEX

## HGB RANGE

### HIGH TEMPERATURE

### HEAT PUMPS

OVERVIEW	PAGE 2
INNOVATIVE FEATURES & BENEFITS	PAGE 2,3,4
TECHNICAL SPECIFICATION HGB- S RANGE 21.0KW-31.0KW	PAGE 5
TECHNICAL SPECIFICATION HGB- S RANGE 39.0KW-46.0KW	PAGE 6
TECHNICAL SPECIFICATION HGB- V RANGE 54KW	PAGE 6
TECHNICAL SPECIFICATION HGB- V RANGE 68.0KW-140KW	PAGE 7
DIMENTIONAL DATA HGB- S RANGE 21.0KW-54.0KW	PAGE 8
DIMENTIONAL DATA HGB- V RANGE 68.0KW-140KW	PAGE 9

#### COMPANY DETAILS

Registered Name : Greenbro South Africa (Pty) Ltd  
Registration Number : 2022/722228/07  
Vat No : 4150309740

#### HEAD OFFICE / GERMISTON

Customer Care : 0860 GRNBRO - 0860 476 276  
Address : 88 Driehoek Road,  
Germiston,  
Johannesburg, 1400  
South Africa

#### WESTEN CAPE

Customer Care : 0860 GRNBRO - 0860 476 276  
Address : Unit 15 North Park, Kingfisher Crescent  
Okavango Park,  
Cape Town, 7560  
South Africa

#### KZN

Customer Care : 0860 GRNBRO - 0860 476 276  
Address : Unit 49, Foundry Park  
18 Tottum Road, Cornubia,  
Durban, 4339  
South Africa

Website : [www.greenbro.co.za](http://www.greenbro.co.za)  
Email : [support@greenbro.co.za](mailto:support@greenbro.co.za)

## OVERVIEW

### WHAT SETS THE HGB RANGE APART?

The Greenbro HGB Range 75°C High Temperature Heat Pumps are advanced heating systems designed to provide high efficiency and reliability in heating applications that requiring elevated temperatures.

The Greenbro HGB High Temperature Range is capable of delivering water temperatures of up to 75°C, making them suitable for various, commercial, and industrial uses.

## INNOVATIVE FEATURES & BENEFITS



### SUPERIOR QUALITY MATERIALS & COMPONENTS

Our heat pumps are manufactured using the highest standard of materials and components available in the industry. We prioritize quality at every stage of production, from sourcing materials to the assembly process, ensuring that each unit meets our stringent quality control measures.



### SUSTAINABLE COMPRESSOR DESIGN

Our heat pumps feature a sustainable compressor design that maximizes energy efficiency while minimizing environmental impact. This design ensures reliable operation while reducing energy consumption, saving you money on utility bills.



### CUTTING EDGE TECHNOLOGY THAT WILL SUITE ANY PROJECT

Our heat pumps are equipped with a new touchscreen controller that offers intuitive operation and advanced functionality. This controller is Wi-Fi enabled, allowing for remote access and control via smartphone or tablet. Additionally, our heat pumps are compatible with Building Management Systems (BMS), facilitating seamless integration into commercial and industrial environments.



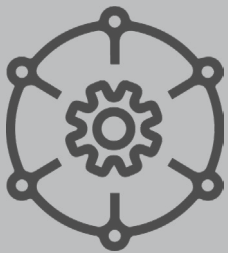
### HIGH EFFICIENCY TUBE & SHELL HEAT EXCHANGER

Our range of heat pumps are engineered with a high-efficiency tube and shell heat exchanger, making it a durable and reliable solution for various heating applications, particularly in environments where corrosion, hard water, high pressure, and unexpected freezes are common concerns. This design maximizes heat transfer efficiency and overall performance, resulting in faster heating times, improved system reliability, and reduced operating costs.

## INNOVATIVE FEATURES & BENEFITS

### GREENBRO HGB RANGE HEAT PUMPS

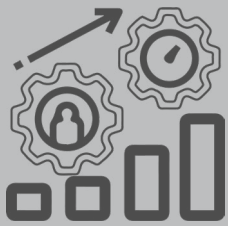
## THE IDEAL SOLUTION FOR APPLICATION REQUIRING ELEVATED TEMPERATURES



#### UNRIVALED VERSATILITY

Whether it's residential, commercial, or industrial, the Greenbro HGB Range caters to every heating requirement with ease.

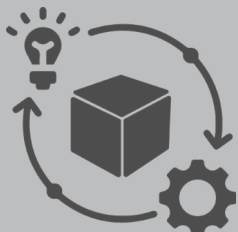
From heating water for domestic use to large-scale facilities, our heat pumps adapt seamlessly to various applications, providing consistent and dependable performance across the board.



#### PERFORMANCE

Meticulously engineered to excel across diverse applications our HGB Range is designed to prioritize safety, efficiency, and reliability. With a maximum water temperature setpoint of 75°C, offering versatility and performance for a wide array of heating needs.

Our HGB Range is engineered for maximum energy efficiency, helping reduce operational costs and environmental impact.



#### SLEEK DESIGN

Our heat pumps boast compact and versatile dimensions, making them suitable for various installation scenarios.

Whether you're working with limited space or seeking to optimize layout efficiency in a commercial or industrial facility, Greenbro heat pumps offer flexibility without compromising on performance.

With dimensions tailored for ease of installation and maintenance, our heat pumps adapt effortlessly to diverse requirements, ensuring hassle-free integration into any space.

The sleek and modern design of our heat pumps sets them apart from traditional heating equipment. Featuring clean lines, smooth surfaces, and a charcoal grey finish, our heat pumps enhance the visual appeal of their surroundings, adding a touch of contemporary flair to the environment.

## INNOVATIVE FEATURES & BENEFITS

### SMART TOUCH SCREEN CONTROLLER CAPABILITIES

**WI-FI ENABLED:** Connect to Smart App via your mobile device.

**BMS COMPATABLE:** BMS functionality included.

#### END USER INTERFACE:

- On/Off,
- Timer Control,
- Temperature Setpoint,
- Error Status Information,
- Error Log History Display,
- Ambient Temperature,
- Exhaust Air Temperature,
- Suction Temperature,
- Delivery Temperature,
- Compressor/Fan/Circulation Pump Run/Stop Status,
- Bluetooth connectivity to smartphone,
- BMS Configuration and Master/Slave Duplexing,

#### BMS INTERFACE:

- Read/Write - ON/OFF,
- Read/Write - Setpoint Temperature,
- Read Only: Error Status,
- Ambient Temperature,
- Exhaust Air Temperature,
- Suction Temperature,
- Delivery Temperature,
- HPCP - Runn Stop and Fan Run/Stop)

## CASING OPTIONS

### STANDARD CASING

Our heat pump casing is meticulously crafted to ensure durability and resistance to rust, employing a multi-step process to provide long-lasting protection. Constructed from 1.2-1.5mm galvanized plate, our casing boasts a robust foundation.

The galvanized plate undergoes a meticulous zinc coating application, with a targeted thickness ranging between 60-80 microns. This initial layer serves as a formidable barrier against corrosion. Following the zinc application, an anti-rust paint is skillfully sprayed, adding an additional 40-60 microns to enhance the casing's defense mechanisms.

To complete the protective ensemble, a second round of spraying is executed with our distinct dark grey color, contributing an additional 50-60 microns. This final coating not only serves an aesthetic purpose but also reinforces the casing's resilience against environmental elements.

Our comprehensive spray process not only delivers a visually appealing dark grey finish but, more importantly, ensures the heat pump casing's steadfast resistance to rust, thereby prolonging its service life and ensuring optimal performance even in challenging conditions.

### STAINLESS STEEL 304

Stainless steel is renowned for its exceptional durability and resistance to corrosion, making it an ideal choice for applications where environmental factors may pose challenges. The 304 stainless steel casing ensures that our heat pumps remain robust and reliable, even in demanding conditions, providing long-lasting performance and peace of mind to our customers.

### STAINLESS STEEL 316

This 316 stainless steel is renowned for its superior corrosion resistance, particularly in harsh environments where exposure to moisture, chemicals, and other corrosive elements is prevalent. The exceptional strength and durability of 316 stainless steel make it an ideal choice for applications where structural integrity is paramount.

## HGB RANGE / 21.0kW - 31.0kW High Temperature Heat Pump Specification



OPERATIONAL DATA								
		HGB-021-S		HGB-026-S		HGB-031-S		
OPERATING DATA	<b>Heating Capacity</b>	kW	20.5	26	31			
	<b>Power</b>	Power Supply	Ph-V-Hz	380V/3PH/50HZ	380V/3PH/50HZ	380V/3PH/50HZ		
		Rated Input Consumption	kW	5.8	7.5	9		
		Max Input Consumption	kW	8.70	11.25	13.50		
		Rated Input Current	A	9.99	12.91	15.50		
		Max Input Current	A	14.98	19.37	23.24		
		Starting Current	A	65	52	73		
	COP	W/W	3.53	3.47	3.44			
	<b>Max Water Temp Setpoint</b>	°C	70	70	70			
	<b>Max Outlet Water Temp</b>	°C	75	75	75			
<b>Hot Water Yield</b>	L/h	350	447	533				
<b>Recommended Water Flow</b>	m³/h	4.4	5.6	6.7				
<b>Working Temp (Ambient)</b>	°C	2°C~43°C	2°C~43°C	2°C~43°C				

GENERAL & PARTS DATA							
		HGB-021-S		HGB-026-S		HGB-031-S	
COMPRESSOR	Model		ZW79KAE-TFP-52E	ZW61KAE-TFP-542	ZW72KAE-TFP-52E		
	Type / Brand		Scroll / Copeland	Scroll / Copeland	Scroll / Copeland		
	Compressor Qty	PCS	1	2	2		
	Capacity	kW	65	52	58		
	Locked Rotor Amp	A	Inner	Inner	Inner		
	Thermal Protector		None	None	None		
	Capacitor	µF					
FAN MOTOR	Model		YDK-160G-6 / HELONG	YDK-160G-6 / HELONG	YDK-160G-6 / HELONG		
	Input	W	320	320	320		
	Capacitor	µF	10	10	10		
	Speed	r/min	800/500	800/500	800/500		
	Diameter of Fans	mm	556	556	556		
	Air Flow	m³/h	7000	7000	7000		
Fan Motor Qty	PCS	1	2	2			
HEAT EXCHANGER	Type		Copper Tube in Shell	Copper Tube in Shell	Copper Tube in Shell		
	Qty	PCS	1	2	2		
	Model / Brand		7P / Gimleo	6P / Gimleo	7P / Gimleo		
EVAPORATOR	Diameter of Copper Pipe	mm	19	19	19		
	Number of Rows		2	2	2		
	Tube Pitch(a)x Row Pitch(b)	mm	25x22	25x22	25x22		
	Fin Spacing	mm	1.8	1.8	1.8		
	Fin Type		Hydrophilic Aluminum	Hydrophilic Aluminum	Hydrophilic Aluminum		
	Tube Outer Diameter & Type	mm	Ø9.52 Innergroove Tube	Ø9.52 Innergroove Tube	Ø9.52 Innergroove Tube		
FOUR-WAY VALVE	Coil Length x Width x Height	mm	1609x44x900	2 x 1082x44x1000	2 x 1082x44x1200		
	Number of Circuits		4	12	14		
	Model / Brand		STF-0408G / Saginomiya	STF-0408G / Saginomiya	STF-0408G / Saginomiya		
	AC Contactor		1	2	2		
EXPANSION DEVICE	Type		AAE4MC + Capillary / Emerson	AAE4MC / Emerson	AAE4MC + Capillary / Emerson		
	Model / Brand		Thermostatic Expansion Valve	Thermostatic Expansion Valve	Thermostatic Expansion Valve		
WIRE CONTROLLER	Type		Intelligent Touch Screen	Intelligent Touch Screen	Intelligent Touch Screen		
	Part Number		O01T0089	O01T0089	O01T0089		
	The Length of Control Cable	m	12	12	12		
WATER SYSTEM	Set Temp.	°C	30~75	30~75	30~75		
	Materials of Water Pipe		Copper	Copper	Copper		
	Water Flow	m³/h	4.4	5.6	6.7		
	Water Pressure Differential	Kpa	60	55	55		
REFRIGERANT HP & LP	Water Inlet Connection Size	mm	DN25 / Female	DN40 / Female	DN40 / Female		
	Water Outlet Connection Size	mm	DN25 / Female	DN40 / Female	DN40 / Female		
		Mpa	2.85/0.02	2.85/0.02	2.85/0.02		
REFRIGERANT	Gas Type		(R134A)	(R134A)	(R134A)		
	Gas Weight	g	1 x 3400g	2 x 3200g	2 x 3700g		
SOUND PRESSURE LEVEL		dB(A)	58	60	61		
	Dimension(L*W*H)	mm	752x690x965	1450x702x1060	1450x702x1260		
	Packing(L*W*H)	mm	840x750x1100	1525x805x1220	1525x805x1420		
DIMENSIONS	NG/WG	kg	150/168	249/294	268/316		



HGB-021-S



HGB-026-S



HGB-031-S

# HGB RANGE / 39.0kW - 54.0kW High Temperature Heat Pump Specification

OPERATIONAL DATA								
		HGB-039-S		HGB-046-S		HGB-054-V		
OPERATING DATA	<b>Heating Capacity</b>	kW	39	46	54			
	<b>Power</b>	Power Supply	Ph-V-Hz	380V/3PH/50HZ	380V/3PH/50HZ	380V/3PH/50HZ		
		Rated Input Consumption	kW	11.2	13.5	15.4		
		Max Input Consumption	kW	16.80	20.25	23.1		
		Rated Input Current	A	19.28	23.24	26.52		
		Max Input Current	A	28.93	34.87	39.77		
		Starting Current	A	71	81	107		
	COP	W/W	3.48	3.41	3.51			
	<b>Max Water Temp Setpoint</b>	°C	70	70	70			
	<b>Max Outlet Water Temp</b>	°C	75	75	75			
<b>Hot Water Yield</b>	L/h	671	791	929				
<b>Recommended Water Flow</b>	m³/h	8.4	9.9	11.6				
<b>Working Temp (Ambient)</b>	°C	2°C~43°C		2°C~43°C		2°C~43°C		

GENERAL & PARTS DATA							
		HGB-039-S		HGB-046-S		HGB-054-V	
COMPRESSOR	Model		ZW61KAE-TFP-542	ZW72KAE-TFP-52E	ZW125KAE-TFP-522		
	Type / Brand		Scroll / Copeland	Scroll / Copeland	Scroll / Copeland		
	Compressor Qty	PCS	3	3	2		
	Capacity	kW	52	58	80		
	Locked Rotor Amp	A	Inner	Inner	Inner		
	Thermal Protector		None	None	None		
	Capacitor	µF					
FAN MOTOR	Model		YDK-160G-6 / HELONG	YDK-160G-6 / HELONG	YWF.A6T-630S-5DIA00 / DUNLI		
	Input	W	320	320	850		
	Capacitor	µF	10	10	/		
	Speed	r/min	800/500	800/500	1350		
	Diameter of Fans	mm	556	556	630		
	Air Flow	m³/h	7000	7000	10800		
	Fan Motor Qty	PCS	3	3	2		
HEAT EXCHANGER	Type		Copper Tube in Shell	Copper Tube in Shell	Copper Tube in Shell		
	Qty	PCS	3	3	2		
	Model		6P / Gimleo	7P / Gimleo	12 / Tuojiu		
EVAPORATOR	Diameter of Copper Pipe	mm	19	19	25.4x2		
	Number of Rows		2	2	2		
	Tube Pitch(a)x Row Pitch(b)	mm	25x22	25x22	25x22		
	Fin Spacing	mm	1.8	1.8	2.2		
	Fin Type		Hydrophilic Aluminum	Hydrophilic Aluminum	Hydrophilic Aluminum		
	Tube Outer Diameter & Type	mm	Ø9.52 Innergroove Tube	Ø9.52 Innergroove Tube	Ø9.52 Innergroove Tube		
	Coil Length x Width x Height	mm	3 x 935x44x1200	3 x 935x44x1200	2 x 1740x44x900		
FOUR-WAY VALVE	Number of Circuits		21	21	9 x 2		
	Model / Brand		STF-0408G / Saginomiya	STF-0408G / Saginomiya	STF-0712G / Saginomiya		
AC CONTACTOR	Model / Brand		3	3	2		
EXPANSION DEVICE	Type		AAE4MC / Emerson	AAE4MC + Capillary / Emerson	TGEN-7 067N5157 / Danfoss		
	Model / Brand		Thermostatic Expansion Valve	Thermostatic Expansion Valve	Thermostatic Expansion Valve		
WIRE CONTROLLER	Type		Intelligent Touch Screen	Intelligent Touch Screen	Intelligent Touch Screen		
	Part Number		O01T0089	O01T0089	O01T0089		
	The Length of Control Cable	m	12	12	12		
	Set Temp.	°C	30~75	30~75	30~75		
WATER SYSTEM	Materials of Water Pipe		Copper	Copper	Copper		
	Water Flow	m³/h	8.4	9.9	11.6		
	Water Pressure Differential	Kpa	55	55	60		
	Water Inlet Connection Size	mm	DN50 / Female	DN50 / Female	DN50 / Female		
	Water Outlet Connection Size	mm	DN50 / Female	DN50 / Female	DN50 / Female		
REFRIGERANT HP & LP		Mpa	2.85/0.02	2.85/0.02	2.85/0.02		
REFRIGERANT	Gas Type		(R134A)	(R134A)	(R134A)		
	Gas Weight	g	3 x 3100g	3 x 3700g	2 x 6000g		
SOUND PRESSURE LEVEL		dB(A)	63	63	70		
DIMENSIONS	Dimension(L*W*H)	mm	2150x765x1290	2150x765x1290	2000x980x1960		
	Packing(L*W*H)	mm	2250x865x1450	2250x865x1450	2130x1100x2150		
	NG/WG	kg	398/460	428/490	530/620		



HGB-039-S



HGB-046-S



HGB-054-S



## HGB RANGE / 68.0kW - 140kW High Temperature Heat Pump Specification



OPERATIONAL DATA										
		HGB-068-V		HGB-080-V		HGB-110-V		HGB-140-V		
OPERATING DATA	Heating Capacity	kW	68	80	110	140				
	Power	Power Supply	Ph-V-Hz	380V/3PH/50HZ	380V/3PH/50HZ	380V/3PH/50HZ	380V/3PH/50HZ			
		Rated Input Consumption	kW	20	23.5	31	40			
		Max Input Consumption	kW	30	35.25	46.5	60			
		Rated Input Current	A	34.44	40.46	53.37	68.87			
		Max Input Current	A	51.65	60.69	80.06	103.31			
		Starting Current	A	134	170	133	169			
	COP	W/W	3.40	3.40	3.40	3.55	3.50			
	Max Water Temp Setpoint	°C	70	70	70	70				
	Max Outlet Water Temp	°C	75	75	75	75				
Hot Water Yield	L/h	1169	1376	1880	2408					
Recommended Water Flow	m³/h	14.6	17.2	23.6	30.1					
Working Temp (Ambient)	°C	2°C~43°C		2°C~43°C		2°C~43°C		2°C~43°C		

GENERAL & PARTS DATA									
		HGB-068-V		HGB-080-V		HGB-110-V		HGB-140-V	
Compressor	Model		VR160KSE	VR190KSE-TFP	ZW125KAE-TFP-522	VR160KSE			
	Type / Brand		Scroll / Copeland	Scroll / Copeland	Scroll / Copeland	Scroll / Copeland			
	Compressor Qty	PCS	2	2	4	4			
	Capacity	kW	100	130	80	100			
	Locked Rotor Amp	A	Inner	Inner	Inner	Inner			
	Thermal Protector		None	None	None	None			
	Capacitor	µF					YWF.A6T-71		
Fan Motor	Model		YWF.A6T-710S-7DIII500 / DUNLI	YWF.A6T-710S-7DIII500 / DUNLI	YWF.A6T-630S-5DIA00 / DUNLI	OS-7DIII500 / DUNLI			
	Input	W	1000	1000	850	1000			
	Capacitor	µF	/	/	/	/			
	Speed	r/min	900	900	1350	900			
	Diameter of Fans	mm	710	710	630	710			
	Air Flow	m³/h	13500	13500	10800	13500			
	Fan Motor Qty	PCS	2	2	4	4			
Heat Exchanger	Type		Copper Tube in Shell	Copper Tube in Shell	Copper Tube in Shell	Copper Tube in Shell			
	Qty	PCS	2	2	4	4			
	Model		15 / Tuoqiu	15 / Tuoqiu	12 / Tuoqiu	15 / Tuoqiu			
Evaporator	Diameter of Copper Pipe	mm	25.4x2	25.4x2	25.4x2	25.4x2			
	Number of Rows		3	3	2	3			
	Tube Pitch(a)x Row Pitch(b)	mm	25x22	25x22	25x22	25x22			
	Fin Spacing	mm	2.2	2.2	2.2	2.2			
	Fin Type		Hydrophilic Aluminum	Hydrophilic Aluminum	Hydrophilic Aluminum	Hydrophilic Aluminum			
	Tube Outer Diameter & Type	mm	Ø9.52 Innergroove Tube	Ø9.52 Innergroove Tube	Ø9.52 Innergroove Tube	Ø9.52 Innergroove Tube			
	Coil Length x Width x Height	mm	2 x 1740x66x900	2 x 1740x66x1000	4 x 1740x44x900	4 x 1740x44x900			
Four-Way Valve	Number of Circuits		9 x 2	9 x 2	9 x 4	9 x 4			
	Model / Brand		STF-1511G / Saginomiya	STF-1511G / Saginomiya	STF-0712G / Saginomiya	STF-1511G / Saginomiya			
AC Contactor	Model / Brand		2	2	4	4			
Expansion Device	Type		TGEN-8 067N5159 / Danfoss	TGEN-10 067N5161 / Danfoss	TGEN-7 067N5157 / Danfoss	TGEN-8 067N5159 / Danfoss			
	Model / Brand		Thermostatic Expansion Valve	Thermostatic Expansion Valve	Thermostatic Expansion Valve	Thermostatic Expansion Valve			
Wire Controller	Type		Intelligent Touch Screen	Intelligent Touch Screen	Intelligent Touch Screen	Intelligent Touch Screen			
	Part Number		O01T0089	O01T0089	O01T0089	O01T0089			
	The Length of Control Cable	m	12	12	12	12			
Water System	Set Temp.	°C	30~75	30~75	30~75	30~75			
	Materials of Water Pipe		Copper	Copper	Galvanized	Galvanized			
	Water Flow	m³/h	14.6	17.2	23.6	30.1			
	Water Pressure Differential	Kpa	60	60	65	65			
	Water Inlet Connection Size	mm	DN50 / Female	DN50 / Female	DN80 / Female	DN80 / Female			
Refrigerant HP & LP	Water Outlet Connection Size	mm	DN50 / Female	DN50 / Female	DN80 / Female	DN80 / Female			
		Mpa	2.85/0.02	2.85/0.02	2.85/0.02	2.85/0.02			
Refrigerant	Gas Type		(R134A)	(R134A)	(R134A)	(R134A)			
	Gas Weight	g	2 x 6500g	2 x 7000g	4 x 6000g	4 x 6500g			
Sound Pressure Level		dB(A)	70	71	72	72			
	Dimension(L*W*H)	mm	2000x980x1960	2000x980x2062	2000x2160x2230	2000x2160x2230			
Dimensions	Packing(L*W*H)	mm	2130x1100x2150	2130x1100x2250	2090x2290x2360	2090x2290x2360			
	NG/AG	kg	600/690	620/710	1020/1180	1120/1280			



HGB-068-V  
HGB-080-V

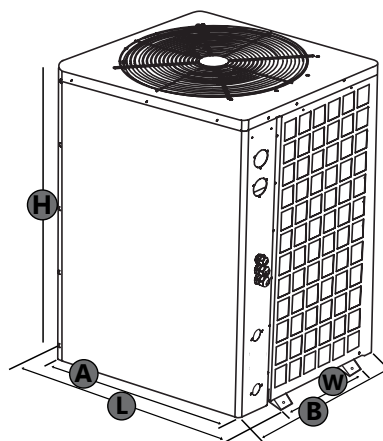


HGB-110-V  
HGB-140-V

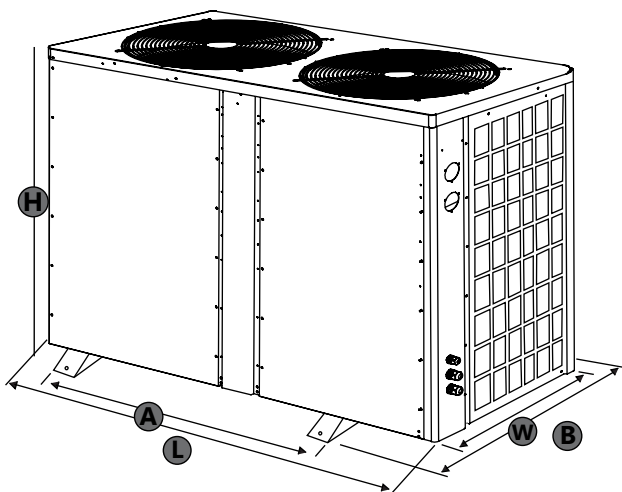
## DIMENSIONAL DATA

HGB HIGH TEMPERATURE RANGE  
21.0kW - 54.0kW

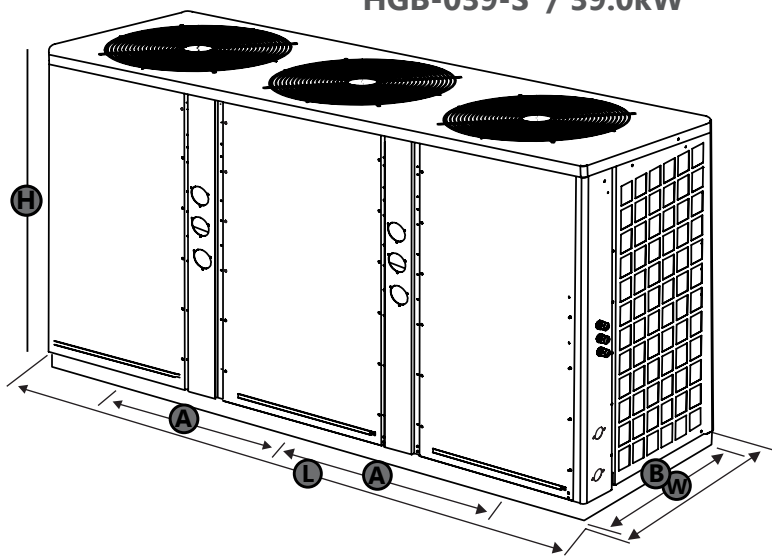
HGB-021-S / 21.0kW



HGB-026-S / 26.0kW  
HGB-031-S / 31.0kW



HGB-046-S / 46.0kW  
HGB-039-S / 39.0kW

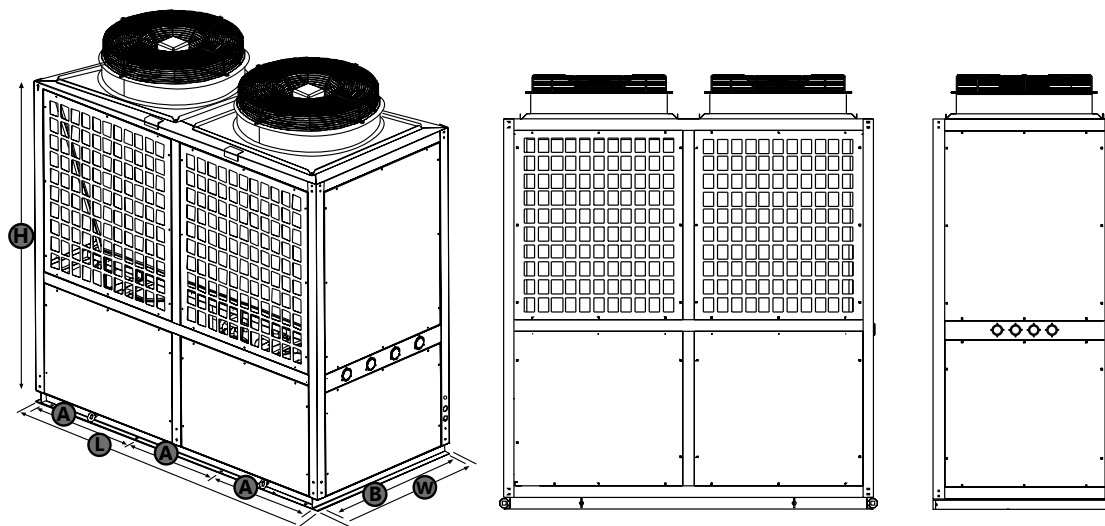


MODEL NUMBER	LENGTH (L)	WIDTH (W)	HIGHT (H)	(A)	(B)
HGB-021-S	752mm	690mm	965mm	470mm	785mm
HGB-026-S	1450mm	702mm	1060mm	755mm	708mm
HGB-031-S	1450mm	702mm	1260mm	755mm	708mm
HGB-039-S	2150mm	765mm	1290mm	757.5mm	680mm
HGB-046-S	2150mm	765mm	1290mm	757.5mm	680mm

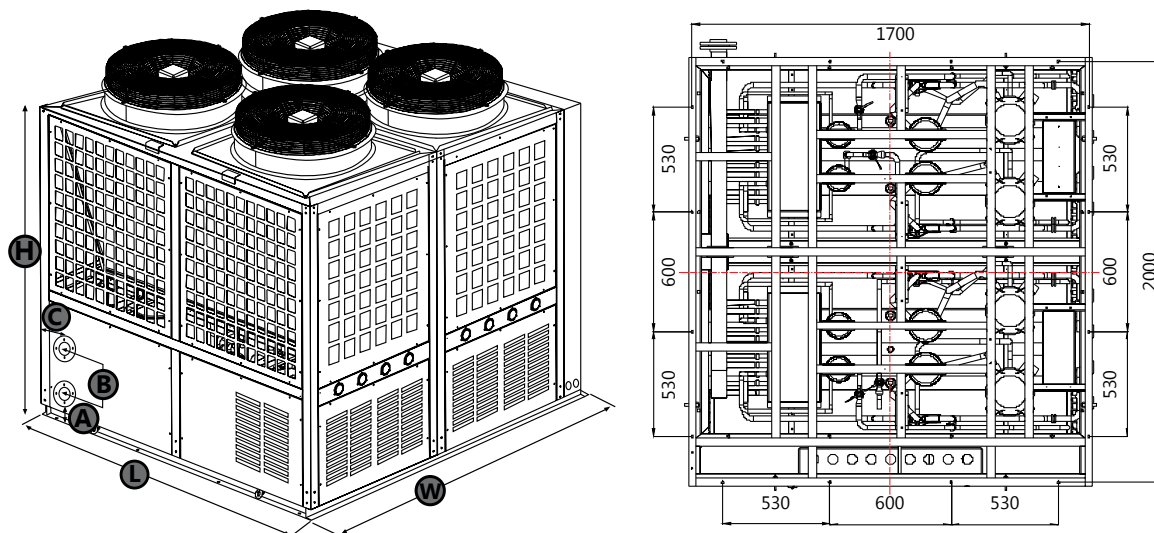
## DIMENSIONAL DATA

HGB HIGH TEMPERATURE RANGE - V COIL TYPE  
54.0kW - 140kW

HGB-054-V / 54.0kW  
HGB-068-V / 68.0kW  
HGB-080-V / 80.0kW



HGB-110-V / 110kW  
HGB-140-V / 140kW



MODEL NUMBER	LENGTH (L)	WIDTH (W)	HIGHT (H)	(A)	(B)	(C)
HGB-054-V	2000mm	980mm	1960mm	600mm	946mm	N/A
HGB-068-V	2000mm	980mm	1960mm	600mm	946mm	N/A
HGB-080-V	2000mm	980mm	2062mm	600mm	946mm	N/A
HGB-110-V	2000mm	2160mm	2230mm	210mm	400mm	150mm
HGB-140-V	2000mm	2160mm	2330mm	210mm	400mm	150mm

**THANK YOU FOR CONSIDERING  
GREENBRO SOUTH AFRICA.**

**WE LOOK FORWARD TO THE  
PROSPECT OF WORKING  
TOGETHER.**



ENDORSED BY NATURE®

**Domestic and Commercial Mechanical Hot Water  
Plantroom Specialists**

Vat No.: 4150309740 | Reg No.: 2022/722228/07

GAUTENG  
88 Driehoek Road,  
Germiston,  
Johannesburg, 1400

KWAZULU-NATAL  
Unit 49, Foundry Park  
18 Tottum Road, Cornubia,  
Durban, 4339

WESTERN CAPE  
Unit 15 North Park,  
Kingfisher Crescent, Okavango Park,  
Cape Town, 7560

0860 GRNBRO / 0860 476 276 | [www.greenbro.co.za](http://www.greenbro.co.za) | [support@greenbro.co.za](mailto:support@greenbro.co.za)