

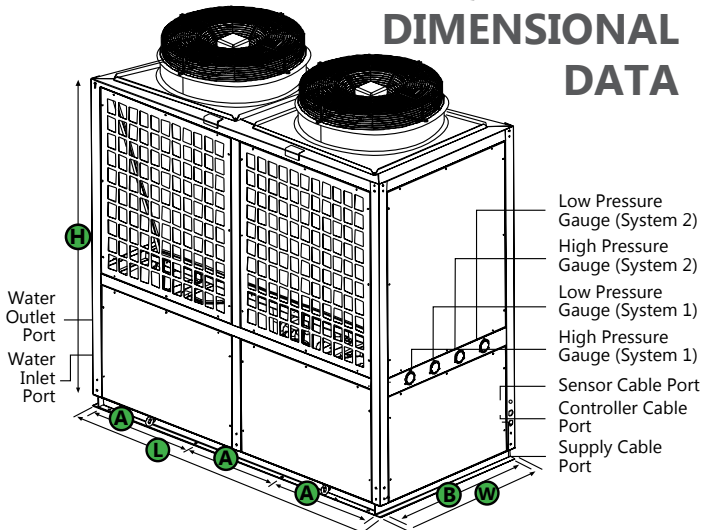
EGB-088-V / 88.0kW Output EVI Technology Heat Pump



PRODUCT IMAGE



DIMENSIONAL DATA



- A** Distance between supports - 600mm
- L** Length - 2000mm
- B** Width / Inc the supports- 946mm
- W** Width - 900mm
- H** Height - 1880mm

SPECIAL FEATURES

EVI (ENHANCED VAPOR INJECTION) COMPRESSOR

SMART LDC TOUCH SCREEN CONTROLLER

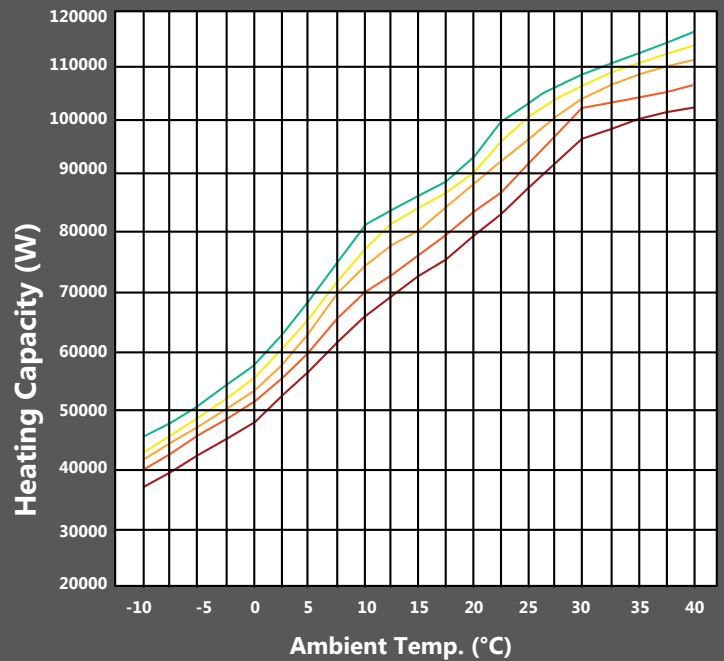


WI-FI ENABLED
CONNECT TO SMART APP VIA
YOUR MOBILE DEVICE



SPECIFICATION

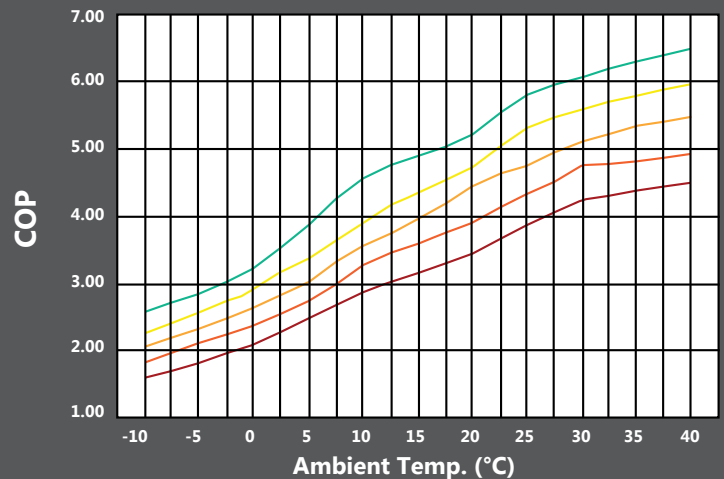
HEATING CAPACITY



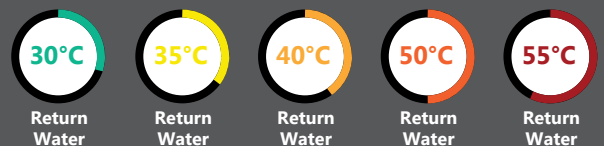
MEASURING CONDITION: Dry/Wet bulb temp. 20°C/15°C ; water inlet/outlet temp. 15°C/55°C



COEFFICIENT OF PERFORMANCE (COP)



MEASURING CONDITION: Dry/Wet bulb temp. 20°C/15°C ; water inlet/outlet temp. 15°C/55°C



EGB-088-V / 88.0kW Output EVI Technology Heat Pump



OPERATIONAL DATA				
OPERATING DATA	Heating Capacity		kW	88
	Power	Power Supply	Ph-V-Hz	380V/3PH/50HZ
		Rated Input Consumption	kW	19.9
		Max Input Consumption	kW	27.86
		Rated Input Current	A	38
		Max Input Current	A	49
		Starting Current	A	121
		COP	W/W	4.42
	Max Water Temp Setpoint		°C	60
	Max Outlet Water Temp		°C	65
Hot Water Yield		L/h	1892	
Recommended Water Flow		m³/h	17	
Working Temp (Ambient)		°C	-17°C~43°C	

GENERAL & PARTS DATA					
GENERAL & PARTS DATA	Compressor	Model		YW285T1-V100	
		Type / Brand		Scroll / INVOTECH	
		Compressor Qty	PCS		2
		Rated Current	A		17.2
		Locked Rotor Amp	A		121
		Capacitor	µF		None
		Refrigerant Oil Type	ml		POE
		Displacement	m³/h		29.1
		Discharge Tube Connection	OD		7/8"
		Suction Tube Connection	OD		1 1/8"
	Fan Motor	Model		YWF.A6T-630S-5F1IIS01	
		Input	W		500/350
		Capacitor	µF		/
		Speed	r/min		900/750
		Diameter of Fans	mm		630
		Air Flow	m³/h		10200/8500
		Fan Motor Qty	PCS		2
	Static Pressure	Pa		/	
	Heat Exchanger	Type			Copper Tube in Shell
		Qty	PCS		2
	Evaporator	Number of Rows			2
		Tube Pitch(a)x Row Pitch(b)			25x22
		Fin Spacing	mm		2
		Fin Type			Hydrophilic Aluminum
	Four-Way Valve	Tube Outer Diameter & Type	mm		Ø9.52 Innergroove Tube
		Model / Brand			STF-0712G / Saginomiya
	AC Contactor	Model / Brand			LF12WL05/ HONGYUAN
	Expansion Device	Type			Thermostatic Expansion Valve
		Model / Brand			TGEZ10(067N4157) / Danfoss
	Wire Controller	Type			Intelligent & LCD
The Length of Control Cable		m		12	
Water System	Set Temp.	°C		25~60	
	Materials of Water Pipe			Copper	
	Water Flow	m³/h		17	
	Water Pressure Differential	Kpa		60	
	Water Inlet Connection Size	mm		DN50	
Refrigerant HP & LP Safety Cut-Out Pressure	Water Outlet Connection Size	mm		DN50	
		Mpa		4.2/0.02	
Refrigerant	Gas Type			(R407C)	
	Gas Weight	g		2 x 6500g	
Sound Pressure Level		dB(A)		70	
Dimensions	Dimension(L*W*H)	mm		2000x900x1880	
	Packing(L*W*H)	mm		2090*985*2020	
	NG/WG	kg		530/620	