

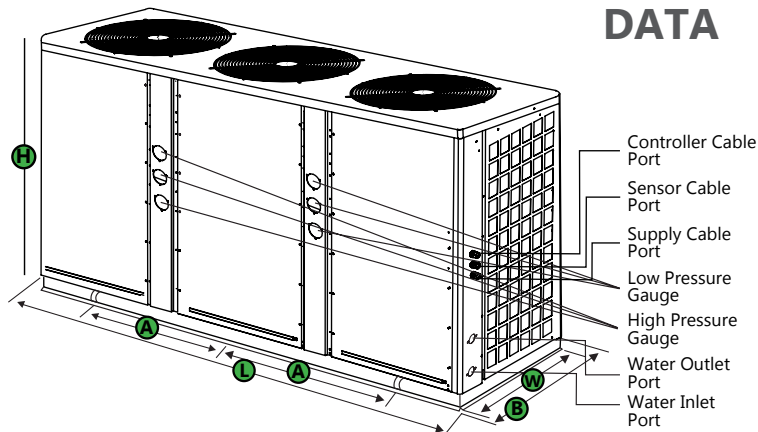
EGB-065-S / 65.0kW Output EVI Technology Heat Pump



PRODUCT IMAGE



DIMENSIONAL DATA



- A** Distance between supports - 757.5mm
- B** Width / Inc the supports- 811mm
- L** Length - 2150mm
- W** Width - 765mm
- H** Height - 1290mm

SPECIAL FEATURES

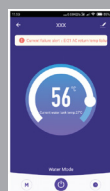
EVI (ENHANCED VAPOR INJECTION) COMPRESSOR



SMART LDC TOUCH SCREEN CONTROLLER

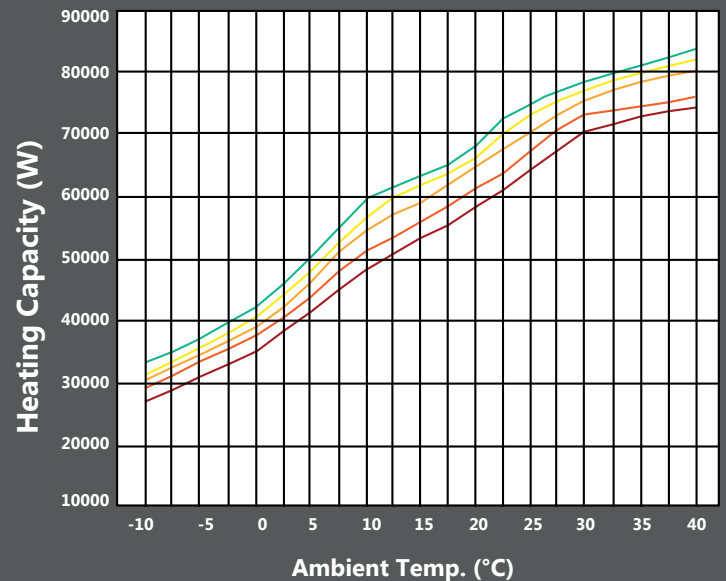


WI-FI ENABLED
CONNECT TO SMART APP VIA
YOUR MOBILE DEVICE

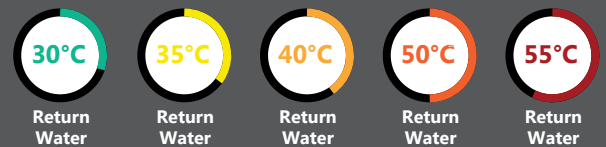


SPECIFICATION

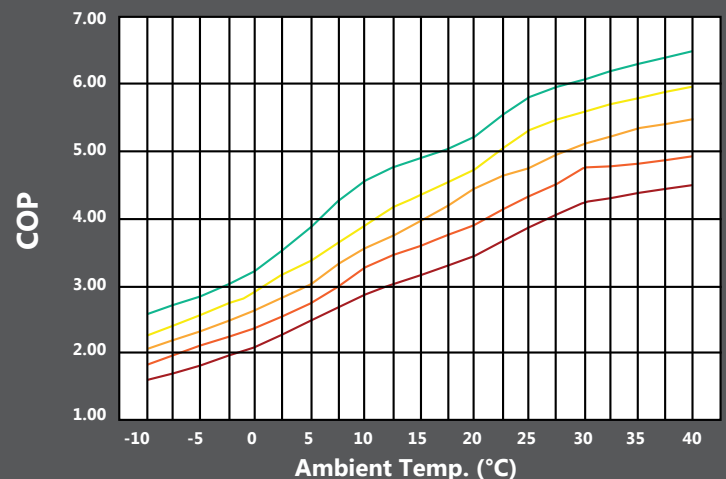
HEATING CAPACITY



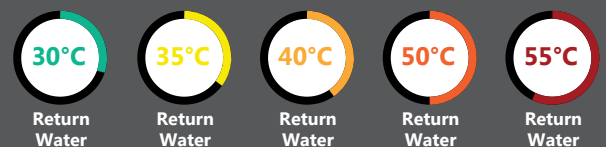
MEASURING CONDITION: Dry/Wet bulb temp. 20°C/15°C ; water inlet/outlet temp. 15°C/55°C



COEFFICIENT OF PERFORMANCE (COP)



MEASURING CONDITION: Dry/Wet bulb temp. 20°C/15°C ; water inlet/outlet temp. 15°C/55°C



EGB-065-S / 65.0kW Output EVI Technology Heat Pump



OPERATIONAL DATA				
OPERATING DATA	Heating Capacity		kW	65
	Power	Power Supply	Ph-V-Hz	380V/3PH/50HZ
		Rated Input Consumption	kW	14.7
		Max Input Consumption	kW	25
		Rated Input Current	A	24.7
		Max Input Current	A	44
		Starting Current	A	70
		COP	W/W	4.42
	Max Water Temp Setpoint		°C	60
	Max Outlet Water Temp		°C	65
Hot Water Yield		L/h	1397	
Recommended Water Flow		m³/h	14	
Working Temp (Ambient)		°C	-17°C~43°C	

GENERAL & PARTS DATA					
GENERAL & PARTS DATA	Compressor	Model		YW135T1-V100	
		Type / Brand		Scroll / INVOTECH	
		Compressor Qty	PCS		3
		Rated Current	A		9.2
		Locked Rotor Amp	A		60
		Capacitor	µF		None
		Refrigerant Oil Type	ml		POE
		Displacement	m³/h		14.5
		Discharge Tube Connection	OD		1/2"
		Suction Tube Connection	OD		7/8"
	Fan Motor	Model		YDK-160G-6	
		Input	W		320
		Capacitor	µF		10
		Speed	r/min		800/500
		Diameter of Fans	mm		556
		Air Flow	m³/h		7000
		Fan Motor Qty	PCS		3
	Static Pressure	Pa		30	
	Heat Exchanger	Type			Copper Tube in Shell
		Qty	PCS		3
	Evaporator	Number of Rows			2
		Tube Pitch(a)x Row Pitch(b)			25x22
		Fin Spacing	mm		1,8
		Fin Type			Hydrophilic Aluminum
	Four-Way Valve	Tube Outer Diameter & Type	mm		Ø9.52 Innergroove Tube
		Model / Brand			STF-0408G / Saginomiya
	AC Contactor	Model / Brand			3TF3300-0X/AC220V/ Siemens
	Expansion Device	Type			Thermal Expansion Valve
		Model / Brand			BAE6ZW195 / Emerson
	Wire Controller	Type			Intelligent & LCD
		The Length of Control Cable	m		12
	Water System	Set Temp.	°C		25~60
Materials of Water Pipe				Copper	
Water Flow		m³/h		14	
Water Pressure Differential		Kpa		55	
Water Inlet Connection Size		mm		DN50 / Female	
Refrigerant HP & LP Safety Cut-Out Pressure	Water Outlet Connection Size	mm		DN50 / Female	
		Mpa		4.2/0.02	
Refrigerant	Gas Type			(R407C)	
	Gas Weight	g		3 x 3300g	
Sound Pressure Level		dB(A)		63	
Dimensions	Dimension(L*W*H)	mm		2150x765x1290	
	Packing(L*W*H)	mm		2250*865*1450	
	NG/WG	kg		398/460	