

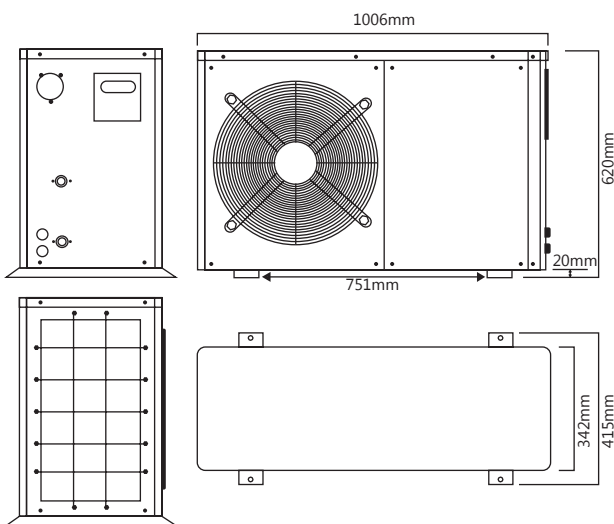
# RGB-009-S / 9kW Output Re-circulating Heat Pump



## PRODUCT IMAGE



## DIMENSIONAL DATA

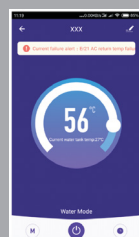


## SPECIAL FEATURES

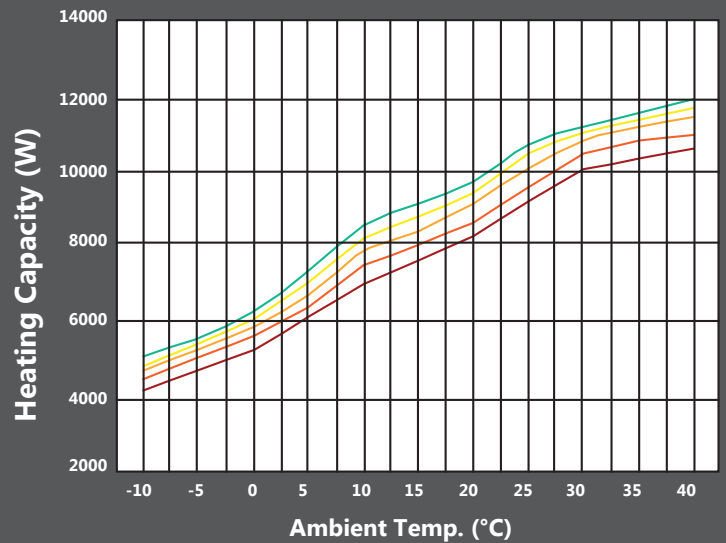
### SMART LDC CONTROLLER



### WI-FI ENABLED CONNECT TO SMART APP VIA YOUR MOBILE DEVICE



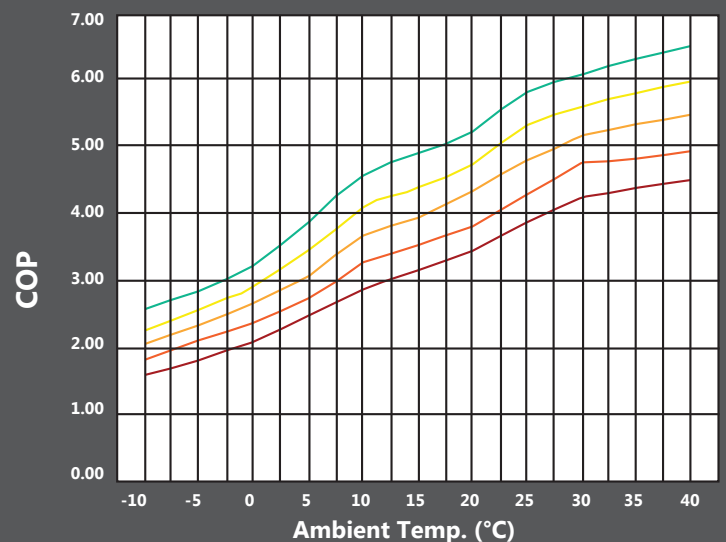
## HEATING CAPACITY



MEASURING CONDITION: Dry/Wet bulb temp. 20°C/15°C ; water inlet/outlet temp. 15°C/55°C



## COEFFICIENT OF PERFORMANCE (COP)



MEASURING CONDITION: Dry/Wet bulb temp. 20°C/15°C ; water inlet/outlet temp. 15°C/55°C



# RGB-009-S / 9kW Output Re-circulating Heat Pump



OPERATIONAL DATA				
OPERATING DATA	<b>Heating Capacity</b>		kW	9
	<b>Power</b>	Power Supply	Ph-V-Hz	220V/1PH/50HZ
		Rated Input Consumption	kW	2.3
		Max Input Consumption	kW	3.35
		Rated Input Current	A	11.17
		Max Input Current	A	16
		Starting Current	A	46
		COP	W/W	3.92
	<b>Max Water Temp Setpoint</b>		°C	55
	<b>Max Outlet Water Temp</b>		°C	60
<b>Hot Water Yield</b>		L/h	200	
<b>Recommended Water Flow</b>		m³/h	1.9	
<b>Working Temp (Ambient)</b>		°C	-15°C~43°C	
GENERAL & PARTS DATA				
GENERAL & PARTS DATA	<b>Compressor</b>	Model		PA290X3CS-4MU1
		Type / Brand		Rotary / Toshiba
		Compressor Qty	PCS	1
		Rated Current	A	11.4
		Locked Rotor Amp	A	61
		Thermal Protector		Inner
		Capacitor	µF	50
	<b>Fan Motor</b>	Model		YDK-40B-6-2 / HELONG
		Input	W	100
		Capacitor	µF	3
		Speed	r/min	900/500
		Diameter of Fans	mm	420
		Fan Motor Qty	PCS	1
	<b>Heat Exchanger</b>	Type		Copper Tube in Shell
		Qty	PCS	1
		Diameter of Copper Pipe	mm	19
		Length	m	4.1
	<b>Evaporator</b>	Fin Spacing	mm	1.6
		Fin Type		Hydrophilic Aluminum
	<b>Four-Way Valve</b>	Tube Outer Diameter & Type	mm	Ø9.52 Innergroove Tube
	<b>AC Contactor</b>	Model / Brand		STF-0218G / Saginomiya
	<b>Expansion Device</b>	Model / Brand		Relay
	<b>Expansion Device</b>	Type		Capillary Tube
	<b>Water Pump</b>	Model / Brand		UPS015-60 / Grundfos or GPD20-6SP / XINHU
	<b>Wire Controller</b>	Type		Intelligent & LCD
		Part Number		O01T0089
		The Length of Control Cable	m	12
	<b>Water System</b>	Set Temp.	°C	25~55
		Materials of Water Pipe		Copper
		Water Flow	m³/h	1.9
		Water Pressure Differential	Kpa	60
		Water Inlet Connection Size	mm	3/4" (DN20)
	<b>Refrigerant</b>	Water Outlet Connection Size	mm	3/4" (DN20)
		Gas Type		(R410A)
	<b>Sound Pressure Level (1m)</b>	Gas Weight	g	1300
			dB(A)	54
<b>Dimensions</b>	Dimension(L*W*H)	mm	1006 x 342 x 620	
	Packing(L*W*H)	mm	1120 x 420 x 750	
	NG/WG	kg	70 / 85	