

**SPECIFICATION / DATA**



**SPECIFICATION &  
DATA SHEET**

**55-60°C**

**RGB RANGE  
RE-CIRCULATING  
HEAT PUMPS**

**INNOVATION  
SATISFACTION  
INTEGRITY  
INVOLVEMENT**

**GREENBRO**   
ENDORSED BY NATURE®



**55-60°C** RGB RANGE

**“EXPERIENCE THE ECO-EFFICIENT  
COMFORT OF GREENBRO HEAT  
PUMP SOLUTIONS!”**



**GREENBRO**   
ENDORSED BY NATURE®

# INDEX

## RGB RANGE RE-CIRCULATING HEAT PUMPS

OVERVIEW	PAGE 2
INNOVATIVE FEATURES & BENEFITS	PAGE 2,3,4
TECHNICAL SPECIFICATION RGB - S RANGE 19KW-63KW	PAGE 5,6
TECHNICAL SPECIFICATION RGB - V RANGE 80KW-250KW	PAGE 7,8
DIMENTIONAL DATA RGB - S RANGE 19KW-63KW	PAGE 9
DIMENTIONAL DATA RGB - V RANGE 80KW-250KW	PAGE 10

### COMPANY INFORMATION

Registered Name : Greenbro South Africa (Pty) Ltd  
Registration Number : 2022/722228/07  
Vat No : 4150309740  
BEE Status : LEVEL 4

#### HEAD OFFICE / MIDRAND

Customer Care : 0860 GRNBRO - 0860 476 276  
Address : Unit 9, 88 Richards Drive  
Innovation Worx Business Centre  
Half Way House, Midrand, 1685  
South Africa

#### WESTEN CAPE

Customer Care : 0860 GRNBRO - 0860 476 276

#### KZN

Customer Care : 0860 GRNBRO - 0860 476 276

Website : [www.greenbro.co.za](http://www.greenbro.co.za)  
Email : [support@greenbro.co.za](mailto:support@greenbro.co.za)

## OVERVIEW

### WHY GREENBRO IS YOUR TRUSTED PARTNER IN MAINTENANCE AND SUPPLY OF HOT WATER EQUIPMENT

Greenbro South Africa (Pty) Ltd stands out in the industry for several compelling reasons. At Greenbro South Africa, we excel not only in maintaining and repairs but also in enhancing and installing mechanical hot water equipment.

Our commitment to excellence, reliability, and innovation ensures that our services and products consistently meet and exceed industry standards.

With our commitment to excellence and cutting-edge technology, we deliver solutions that exceed expectations and provide lasting value.

Our heat pumps are equipped with a range of innovative features designed to optimize performance and enhance user experience.

## INNOVATIVE FEATURES & BENEFITS



### SUPERIOR QUALITY MATERIALS & COMPONENTS

Our heat pumps are manufactured using the highest standard of materials and components available in the industry. We prioritize quality at every stage of production, from sourcing materials to the assembly process, ensuring that each unit meets our stringent quality control measures.



### SUSTAINABLE COMPRESSOR DESIGN

Our heat pumps feature a sustainable compressor design that maximizes energy efficiency while minimizing environmental impact. This design ensures reliable operation while reducing energy consumption, saving you money on utility bills.



### CUTTING EDGE TECHNOLOGY THAT WILL SUITE ANY PROJECT

Our heat pumps are equipped with a new touchscreen controller that offers intuitive operation and advanced functionality. This controller is Wi-Fi enabled, allowing for remote access and control via smartphone or tablet. Additionally, our heat pumps are compatible with Building Management Systems (BMS), facilitating seamless integration into commercial and industrial environments.



### HIGH EFFICIENCY TUBE & SHELL HEAT EXCHANGER

Our range of heat pumps are engineered with a high-efficiency tube and shell heat exchanger, making it a durable and reliable solution for various heating applications, particularly in environments where corrosion, hard water, high pressure, and unexpected freezes are common concerns. This design maximizes heat transfer efficiency and overall performance, resulting in faster heating times, improved system reliability, and reduced operating costs.

## INNOVATIVE FEATURES & BENEFITS

### GREENBRO CGB RANGE HEAT PUMPS

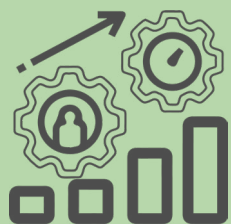
## THE IDEAL SOLUTION FOR ANY APPLICATION



### UNRIVALED VERSATILITY

Whether it's residential, commercial, or industrial, the Greenbro RGB Range caters to every heating requirement with ease.

From heating water for domestic use to large-scale facilities, our heat pumps adapt seamlessly to various applications, providing consistent and dependable performance across the board.



### PERFORMANCE

Meticulously engineered to excel across diverse applications our RGB Range is designed to prioritize safety, efficiency, and reliability. With a maximum water temperature setpoint of 55°C-60°C, offering versatility and performance for a wide array of heating needs.

Our RGB Range is engineered for maximum energy efficiency, helping reduce operational costs and environmental impact.



### SLEEK DESIGN

Our heat pumps boast compact and versatile dimensions, making them suitable for various installation scenarios.

Whether you're working with limited space or seeking to optimize layout efficiency in a commercial or industrial facility, Greenbro heat pumps offer flexibility without compromising on performance.

With dimensions tailored for ease of installation and maintenance, our heat pumps adapt effortlessly to diverse requirements, ensuring hassle-free integration into any space.

The sleek and modern design of our heat pumps sets them apart from traditional heating equipment. Featuring clean lines, smooth surfaces, and a charcoal grey finish, our heat pumps enhance the visual appeal of their surroundings, adding a touch of contemporary flair to the environment.



## INNOVATIVE FEATURES & BENEFITS

### SMART TOUCH SCREEN CONTROLLER CAPABILITIES

**WI-FI ENABLED:** Connect to Smart App via your mobile device.

**BMS COMPATABLE:** BMS functionality included.

#### END USER INTERFACE:

- On/Off,
- Timer Control,
- Temperature Setpoint,
- Error Status Information,
- Error Log History Display,
- Ambient Temperature,
- Exhaust Air Temperature,
- Suction Temperature,
- Delivery Temperature,
- Compressor/Fan/Circulation Pump Run/Stop Status,
- Bluetooth connectivity to smartphone,
- BMS Configuration and Master/Slave Duplexing,

#### BMS INTERFACE:

- Read/Write - ON/OFF,
- Read/Write - Setpoint Temperature,
- Read Only: Error Status,
- Ambient Temperature,
- Exhaust Air Temperature,
- Suction Temperature,
- Delivery Temperature,
- HPCP - Runn Stop and Fan Run/Stop)

## CASING OPTIONS

### STANDARD CASING

Our heat pump casing is meticulously crafted to ensure durability and resistance to rust, employing a multi-step process to provide long-lasting protection. Constructed from 1.2-1.5mm galvanized plate, our casing boasts a robust foundation.

The galvanized plate undergoes a meticulous zinc coating application, with a targeted thickness ranging between 60-80 microns. This initial layer serves as a formidable barrier against corrosion. Following the zinc application, an anti-rust paint is skillfully sprayed, adding an additional 40-60 microns to enhance the casing's defense mechanisms.

To complete the protective ensemble, a second round of spraying is executed with our distinct dark grey color, contributing an additional 50-60 microns. This final coating not only serves an aesthetic purpose but also reinforces the casing's resilience against environmental elements.

Our comprehensive spray process not only delivers a visually appealing dark grey finish but, more importantly, ensures the heat pump casing's steadfast resistance to rust, thereby prolonging its service life and ensuring optimal performance even in challenging conditions.

### STAINLESS STEEL 304

Stainless steel is renowned for its exceptional durability and resistance to corrosion, making it an ideal choice for applications where environmental factors may pose challenges. The 304 stainless steel casing ensures that our heat pumps remain robust and reliable, even in demanding conditions, providing long-lasting performance and peace of mind to our customers.

### STAINLESS STEEL 316

This 316 stainless steel is renowned for its superior corrosion resistance, particularly in harsh environments where exposure to moisture, chemicals, and other corrosive elements is prevalent. The exceptional strength and durability of 316 stainless steel make it an ideal choice for applications where structural integrity is paramount.

## RGB RANGE / 19.0kW - 63.0kW Re-circulating Heat Pump Specification

OPERATIONAL DATA									
		RGB-019-S		RGB-022-S		RGB-030-S		RGB-038-S	
OPERATING DATA	<b>Heating Capacity</b>		kW	19	22.8	30	38		
	<b>Power</b>	Power Supply	Ph-V-Hz	380V/3PH/50HZ		380V/3PH/50HZ		380V/3PH/50HZ	
		Rated Input Consumption	kW	4.55	5.16	7.2	9.2		
		Max Input Consumption	kW	6.37	7.22	10.08	12.88		
		Rated Input Current	A	7.83	9	12	15.84		
		Max Input Current	A	10.97	12.6	18.36	22.18		
		Starting Current	A	52	60	57	68		
	COP	W/W	4.18	4.46	4.17	4.13			
	<b>Max Water Temp Setpoint</b>		°C	55	55	55	55		
	<b>Max Outlet Water Temp</b>		°C	60	60	60	60		
<b>Hot Water Yield</b>		L/h	408	490	645	817			
<b>Recommended Water Flow</b>		m³/h	4.1	4.9	6.4	8.2			
<b>Working Temp (Ambient)</b>		°C	-15°C~43°C		-15°C~43°C		-15°C~43°C		

GENERAL & PARTS DATA									
		RGB-019-S		RGB-022-S		RGB-030-S		RGB-038-S	
GENERAL & PARTS DATA	<b>Compressor</b>	Model		C-SBN373H8D	C-SBN453HD	C-SBN303H8D	C-SBN373H8D		
		Type / Brand		Scroll / Sanyo	Scroll / Sanyo	Scroll / Sanyo	Scroll / Sanyo		
		Compressor Qty	PCS	1	1	2	2		
		Rated Current	A	7.6	9.3	5.8	7.6		
		Locked Rotor Amp	A	52	58	45	52		
		Thermal Protector		Inner	Inner	Inner	Inner		
		Capacitor	µF	None	None	None	None		
		Refrigerant Oil	ml	1700	1900	1500	1700		
		Displacement	cm³	55.7	66.8	39.9	55.7		
		Compressor Tube Connection	mm	22.2/12.7	22.2/12.7	22.2/12.7	22.2/12.7		
	<b>Fan Motor</b>	Model		YDK-160G-6	YDK-160G-6	YDK-160G-6	YDK-160G-6		
		Input	W	320	320	320	320		
		Capacitor	µF	10	10	10	10		
		Speed	r/min	800/500	800/500	800/500	800/500		
		Diameter of Fans	mm	556	556	556	556		
		Air Flow	m³/h	7000	7000	7000	7000		
		Fan Motor Qty	PCS	1	1	2	2		
	<b>Heat Exchanger</b>	Type		Copper Tube in Shell	Copper Tube in Shell	Copper Tube in Shell	Copper Tube in Shell		
		Qty	PCS	1	1	2	2		
		Model		5P-A	5P-A	4P-A	5P-A		
	<b>Evaporator</b>	Diameter of Copper Pipe	mm	19	19	19	19		
		Number of Rows		1	1	2	2		
		Tube Pitch(a)x Row Pitch(b)	mm	25x22	25x22	25x22	25x22		
		Fin Spacing	mm	1.8	1.8	1.8	1.8		
		Fin Type		Hydrophilic Aluminum	Hydrophilic Aluminum	Hydrophilic Aluminum	Hydrophilic Aluminum		
		Tube Outer Diameter & Type	mm	Ø9.52 Innergroove Tube	Ø9.52 Innergroove Tube	Ø9.52 Innergroove Tube	Ø9.52 Innergroove Tube		
<b>Four-Way Valve</b>	Coil Length x Width x Height	mm	1609x22x900	1609x22x900	2 x 1082x44x900	2 x 1082x44x1000			
	Number of Circuits		4	4	10	12			
	Model / Brand		STF-0408G / Saginomiya	STF-0408G / Saginomiya	STF-0408G / Saginomiya	STF-0408G / Saginomiya			
<b>AC Contactor</b>	Model / Brand		3TF3300-0X/AC220V/ Siemens	3TF3300-0X/AC220V/ Siemens	3TF3300-0X/AC220V/ Siemens	3TF3300-0X/AC220V/ Siemens			
	Type		Thermostatic Expansion Valve	Thermostatic Expansion Valve	Thermostatic Expansion Valve	Thermostatic Expansion Valve			
<b>Expansion Device</b>	Model / Brand		BAE6ZW195 / Emerson	BAE6ZW195 / Emerson	BAE6ZW195 / Emerson	BAE6ZW195 / Emerson			
	Type		Intelligent & LCD	Intelligent & LCD	Intelligent & LCD	Intelligent & LCD			
<b>Wire Controller</b>	Part Number		O01T0089	O01T0089	O01T0089	O01T0089			
	The Length of Control Cable	m	12	12	12	12			
	Set Temp.	°C	25~55	25~55	25~55	25~55			
<b>Water System</b>	Materials of Water Pipe		Copper	Copper	Copper	Copper			
	Water Flow	m³/h	4.1	4.9	6.4	8.2			
	Water Pressure Differential	Kpa	50	50	55	55			
	Water Inlet Connection Size	mm	DN25 / Female	DN25 / Female	DN40 / Female	DN40 / Female			
	Water Outlet Connection Size	mm	DN25 / Female	DN25 / Female	DN40 / Female	DN40 / Female			
<b>Refrigerant HP &amp; LP Safety Cut-Out Pressure</b>	Mpa	4.2/0.02	4.2/0.02	4.2/0.02	4.2/0.02				
<b>Refrigerant</b>	Gas Type		(R410A)	(R410A)	(R410A)	(R410A)			
	Gas Weight	g	1 x 3000g	1 x 3000g	2 x 3100g	2 x 3000g			
<b>Sound Pressure Level</b>			57	57	58	60			
<b>Dimensions</b>	Dimension(L*W*H)	mm	752x690x965	752x690x965	1450x702x950	1450x702x1060			
	Packing(L*W*H)	mm	840*750*1100	840*750*1100	1525*805*1110	1525*805*1220			
	NG/WG	kq	119/137	134/154	236/279	249/294			



RGB-019-S / RGB-022-S



RGB-030-S / RGB-038-S

# RGB RANGE / 19.0kW - 63.0kW Re-circulating Heat Pump Specification



OPERATIONAL DATA								
		RGB-045-S		RGB-055-S		RGB-063-S		
OPERATING DATA	Heating Capacity	kW	45	55	63			
	Power	Power Supply	Ph-V-Hz	380V/3PH/50HZ	380V/3PH/50HZ	380V/3PH/50HZ		
		Rated Input Consumption	kW	10.8	13.5	16		
		Max Input Consumption	kW	16.2	20.25	24		
		Rated Input Current	A	18.6	23.4	27.5		
		Max Input Current	A	27.89	33	42		
		Starting Current	A	77	99	113		
	COP	W/W	4.17	4.07	3.94			
	Max Water Temp Setpoint	°C	55	55	55			
	Max Outlet Water Temp	°C	60	60	60			
Hot Water Yield	L/h	967	1182	1354				
Recommended Water Flow	m³/h	9.7	11.8	13.5				
Working Temp (Ambient)	°C	-15°C~43°C	-15°C~43°C	-15°C~43°C				

GENERAL & PARTS DATA							
		RGB-045-S		RGB-055-S		RGB-063-S	
GENERAL & PARTS DATA	Compressor	Model		C-SBN453HD	C-SBN373H8D	C-SBN453HD	
		Type / Brand		Scroll / Sanyo	Scroll / Sanyo	Scroll / Sanyo	
		Compressor Qty	PCS	2	3	3	
		Rated Current	A	9.3	7.6	9.3	
		Locked Rotor Amp	A	58	52	58	
		Thermal Protector		Inner	Inner	Inner	
		Capacitor	µF	None	None	None	
		Refrigerant Oil	ml	1900	1700	1900	
	Fan Motor	Displacement	cm³	66.8	55.7	66.8	
		Compressor Tube Connection	mm	22.2/12.7	22.2/12.7	22.2/12.7	
		Model		YDK-160G-6	YDK-160G-6	YDK-160G-6	
		Input	W	320	320	320	
		Capacitor	µF	10	10	10	
		Speed	r/min	800/500	800/500	800/500	
		Diameter of Fans	mm	556	556	556	
		Air Flow	m³/h	7000	7000	7000	
	Heat Exchanger	Fan Motor Qty	PCS	2	3	3	
		Static Pressure	Pa	30	30	30	
		Type		Copper Tube in Shell	Copper Tube in Shell	Copper Tube in Shell	
		Qty	PCS	2	3	3	
Evaporator	Model		6P-A	5P-A	6P-A		
	Diameter of Copper Pipe	mm	19	19	19		
	Number of Rows		2	2	2		
	Tube Pitch(a)x Row Pitch(b)	mm	25x22	25x22	25x22		
	Fin Spacing	mm	1.8	1.8	1.8		
	Fin Type		Hydrophilic Aluminum	Hydrophilic Aluminum	Hydrophilic Aluminum		
Four-Way Valve	Tube Outer Diameter & Type	mm	Ø9.52 Innergroove Tube	Ø9.52 Innergroove Tube	Ø9.52 Innergroove Tube		
	Coil Length x Width x Height	mm	2 x 1082x44x1200	3 x 935x44x1200	3 x 935x44x1200		
	Number of Circuits		14	21	21		
	Model / Brand		STF-0408G / Saginomiya	STF-0408G / Saginomiya	STF-0408G / Saginomiya		
AC Contactor	Model / Brand		3TF3300-0X/AC220V/ Siemens	3TF3300-0X/AC220V/ Siemens	3TF3300-0X/AC220V/ Siemens		
	Type		Thermostatic Expansion Valve	Thermostatic Expansion Valve	Thermostatic Expansion Valve		
Expansion Device	Model / Brand		BAE6ZW195 / Emerson	BAE6ZW195 / Emerson	BAE6ZW195 / Emerson		
	Type		Intelligent & LCD	Intelligent & LCD	Intelligent & LCD		
Wire Controller	Part Number		O01T0089	O01T0089	O01T0089		
	The Length of Control Cable	m	12	12	12		
	Set Temp.	°C	25~55	25~55	25~55		
Water System	Materials of Water Pipe		Copper	Copper	Copper		
	Water Flow	m³/h	9.7	11.8	13.5		
	Water Pressure Differential	Kpa	55	55	55		
	Water Inlet Connection Size	mm	DN40 / Female	DN50 / Female	DN50 / Female		
	Water Outlet Connection Size	mm	DN40 / Female	DN50 / Female	DN50 / Female		
Refrigerant HP & LP Safety Cut-Out Pressure	Mpa	4.2/0.02	4.2/0.02	4.2/0.02			
Refrigerant	Gas Type		(R410A)	(R410A)	(R410A)		
	Gas Weight	g	2 x 3300g	3 x 3100g	3 x 3300g		
Sound Pressure Level	dB(A)	61	63	63			
Dimensions	Dimension(L*W*H)	mm	1450x702x1260	2150x765x1290	2150x765x1290		
	Packing(L*W*H)	mm	1525*805*1420	2250*865*1450	2250*865*1450		
	NG/WG	kq	268/316	398/460	398/460		



RGB-045-S



RGB-055-S / RGB-036-S



## RGB RANGE / 80.0kW - 250kW / V-TYPE Re-circulating Heat Pump Specification



OPERATIONAL DATA								
		RGB-080-V		RGB-100-V		RGB-125-V		
OPERATING DATA	Heating Capacity	kW	80	100	125			
	Power	Power Supply	Ph-V-Hz	380V/3PH/50HZ	380V/3PH/50HZ	380V/3PH/50HZ		
		Rated Input Consumption	kW	19.3	24	30.3		
		Max Input Consumption	kW	28.95	36	45.45		
		Rated Input Current	A	31.79	39.53	49.90		
		Max Input Current	A	47.68	59.29	74.85		
		Starting Current	A	174	236	268		
	COP	W/W	4.07	4.10	4.09			
	Max Water Temp Setpoint	°C	55	55	55			
	Max Outlet Water Temp	°C	60	60	60			
Hot Water Yield	L/h	1720	2150	2687				
Recommended Water Flow	m³/h	17.2	21.5	26.9				
Working Temp (Ambient)	°C	-15°C~43°C	-15°C~43°C	-15°C~43°C				

GENERAL & PARTS DATA								
		RGB-080-V		RGB-100-V		RGB-125-V		
GENERAL & PARTS DATA	Compressor	Model		VR125KSE-TFP-522	ZW150KAE-TFP-522	VR190KSE-TFP-522		
		Type / Brand		Scroll / Copeland	Scroll / Copeland	Scroll / Copeland		
		Compressor Qty	PCS	2	2	2		
		Rated Capacity	kW	29.9	47.5	49		
		Locked Rotor Amp	A	110	157	168		
	Fan Motor	Thermal Protector		Inner	Inner	Inner		
		Capacitor	µF	None	None	None		
		Model		YWF.A6T-630S-5F1III501 / Dunli	YWF.A6T-710S-7F1S10 / Dunli	YWF.A6T-710S-7F1S10 / Dunli		
		Input (2 Speed)	W	500/350	1100/800	1100/800		
		Speed	r/min	900/750	920/780	920/780		
Diameter of Fans		mm	630	710	710			
Heat Exchanger	Air Flow	m³/h	10200/8500	17400/15000	17400/15000			
	Static Pressure	Pa	120/100	150/98	150/98			
	Fan Motor Qty	PCS	2	2	2			
	Type		Copper Tube in Shell	Copper Tube in Shell	Copper Tube in Shell			
Evaporator	Qty	PCS	2	3	3			
	Number of Rows		2	2	2			
	Fin Spacing	mm	2	2	2			
Four-Way Valve	Fin Type		Hydrophilic Aluminum	Hydrophilic Aluminum	Hydrophilic Aluminum			
	Tube Outer Diameter & Type	mm	Ø9.52 Innergroove Tube	Ø9.52 Innergroove Tube	Ø9.52 Innergroove Tube			
Expansion Device	Model / Brand		STF-0712G / Saginomiya	STF-1511G / Saginomiya	STF-1511G / Saginomiya			
	Type		Thermostatic Expansion Valve	Thermostatic Expansion Valve	Thermostatic Expansion Valve			
Wire Controller	Model / Brand		TGEZ-10 (067N4157) / Danfoss	TGEZ-12 (067N4159) / Danfoss	TGEZ-15 (067N4161) / Danfoss			
	Type		Intelligent & LCD	Intelligent & LCD	Intelligent & LCD			
	Part Number		O01T0089	O01T0089	O01T0089			
Water System	The Length of Control Cable	m	12	12	12			
	Set Temp.	°C	25~55	25~55	25~55			
	Materials of Water Pipe		Copper	Copper	Copper			
	Water Flow	m³/h	17.2	21.5	26.9			
	Water Pressure Differential	Kpa	60	60	60			
Refrigerant HP & LP Safety Cut-Out Pressure	Water Inlet Connection Size	mm	DN50 / Female	DN50 / Female	DN50 / Female			
	Water Outlet Connection Size	mm	DN50 / Female	DN50 / Female	DN50 / Female			
Refrigerant	Refrigerant HP & LP Safety Cut-Out Pressure	Mpa	4.2/0.02	4.2/0.02	4.2/0.02			
	Gas Type		(R407C)	(R407C)	(R407C)			
Sound Pressure Level	Gas Weight	g	2 x 6500g	2 x 7800g	2 x 8800g			
	Sound Pressure Level	dB(A)	70	70	70			
Dimensions	Dimension(L*W*H)	mm	2000x900x1880	2000x900x1880	2000x900x1880			
	Packing(L*W*H)	mm	2090x985x2020	2090x985x2020	2090x985x2020			
	NG/WG	kg	530/620	600/690	620/710			



RGB-080-V  
RGB-100-V  
RGB-125-V

## RGB RANGE / 80.0kW - 250kW / V-TYPE Re-circulating Heat Pump Specification



OPERATIONAL DATA								
		RGB-160-V		RGB-200-V		RGB-250-V		
OPERATING DATA	Heating Capacity	kW	160	200	250			
	Power	Power Supply	Ph-V-Hz	380V/3PH/50HZ	380V/3PH/50HZ	380V/3PH/50HZ		
		Rated Input Consumption	kW	38.6	48	60.6		
		Max Input Consumption	kW	57.9	72	90.9		
		Rated Input Current	A	63.57	79.05	99.8		
		Max Input Current	A	95.36	118.58	149.70		
		Starting Current	A	364	473	567		
	COP	W/W	4.25	4.23	4.26			
	Max Water Temp Setpoint	°C	55	55	55			
	Max Outlet Water Temp	°C	60	60	60			
	Hot Water Yield	L/h	3439	4299	5374			
	Recommended Water Flow	m³/h	34.4	43.0	53.7			
Working Temp (Ambient)	°C	-15°C~43°C	-15°C~43°C	-15°C~43°C				

GENERAL & PARTS DATA								
		RGB-160-V		RGB-200-V		RGB-250-V		
GENERAL & PARTS DATA	Compressor	Model		VR125KSE-TFP-522	ZW150KAE-TFP-522	VR190KSE-TFP-522		
		Type / Brand		Scroll / Copeland	Scroll / Copeland	Scroll / Copeland		
		Compressor Qty	PCS	4	4	4		
		Rated Capacity	kW	29.9	47.5	49		
		Locked Rotor Amp	A	110	157	168		
		Thermal Protector		Inner	Inner	Inner		
	Capacitor	µF	None	None	None			
	Fan Motor	Model		YWF A6T-630S-5F1III501 / Dunli	YWF A6T-710S-7F1S10 / Dunli	YWF A6T-710S-7F1S10 / Dunli		
		Input (2 Speed)	W	500/350	1100/800	1100/800		
		Speed	r/min	900/750	920/780	920/780		
		Diameter of Fans	mm	630	710	710		
		Air Flow	m³/h	10200/8500	17400/15000	17400/15000		
Static Pressure		Pa	120/100	150/98	150/98			
Heat Exchanger	Fan Motor Qty	PCS	4	4	4			
	Type		Copper Tube in Shell	Copper Tube in Shell	Copper Tube in Shell			
	Qty	PCS	4	4	4			
Evaporator	Number of Rows		3	3	3			
	Fin Spacing	mm	2	2	2			
Four-Way Valve	Fin Type		Hydrophilic Aluminum	Hydrophilic Aluminum	Hydrophilic Aluminum			
	Tube Outer Diameter & Type	mm	Ø9.52 Innergroove Tube	Ø9.52 Innergroove Tube	Ø9.52 Innergroove Tube			
Expansion Device	Model / Brand		STF-0712G / Saginomiya	STF-01511G / Saginomiya	STF-0712G / Saginomiya			
	Type		Thermostatic Expansion Valve	Thermostatic Expansion Valve	Thermostatic Expansion Valve			
Wire Controller	Model / Brand		TGEZ-10 (067N4157) / Danfoss	TGEZ-12 (067N4159) / Danfoss	TGEZ-15 (067N4161) / Danfoss			
	Type		Intelligent & LCD	Intelligent & LCD	Intelligent & LCD			
	Part Number		O01T0089	O01T0089	O01T0089			
Water System	The Length of Control Cable	m	12	12	12			
	Set Temp.	°C	25~55	25~55	25~55			
	Materials of Water Pipe		Copper	Copper	Copper			
	Water Flow	m³/h	34.4	43.0	53.7			
	Water Pressure Differential	Kpa	70	70	72			
Refrigerant HP & LP Safety Cut-Out Pressure	Water Inlet Connection Size	mm	DN80 / Female	DN80 / Female	DN80 / Female			
	Water Outlet Connection Size	mm	DN80 / Female	DN80 / Female	DN80 / Female			
		Mpa	4.2/0.02	4.2/0.02	4.2/0.02			
Refrigerant	Gas Type		(R407C)	(R407C)	(R407C)			
	Gas Weight	g	4 x 6500g	4 x 7800g	4 x 8800g			
Sound Pressure Level	dB(A)	72	72	72				
Dimensions	Dimension(L*W*H)	mm	2000x1700x1880	2000x1700x1880	2000x1700x1880			
	Packing(L*W*H)	mm	2090x1780x2020	2090x1780x2020	2090x1780x2020			
	NG/WG	kg	1060/1240	1200/1380	1240/1420			

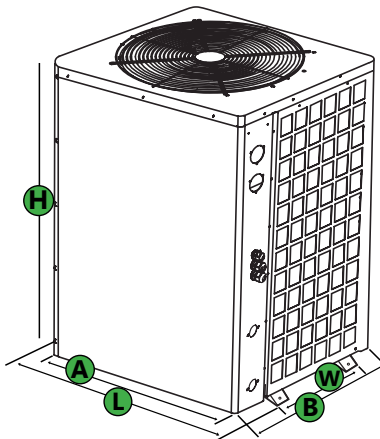


RGB-160-V  
RGB-200-V  
RGB-250-V

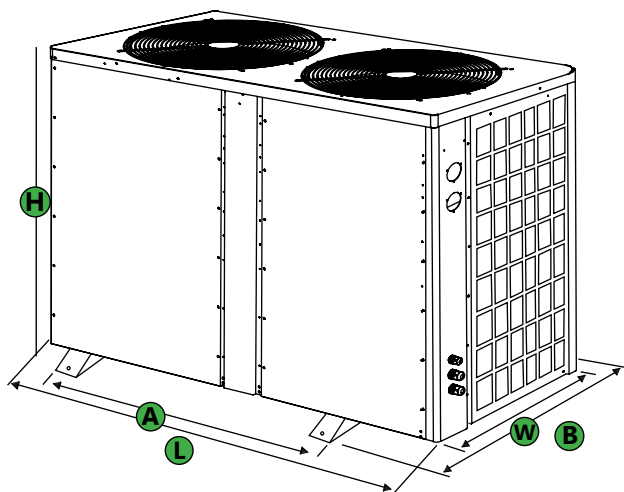
## DIMENSIONAL DATA

RGB RE-CIRCULATING RANGE  
19.0kW - 63.0kW

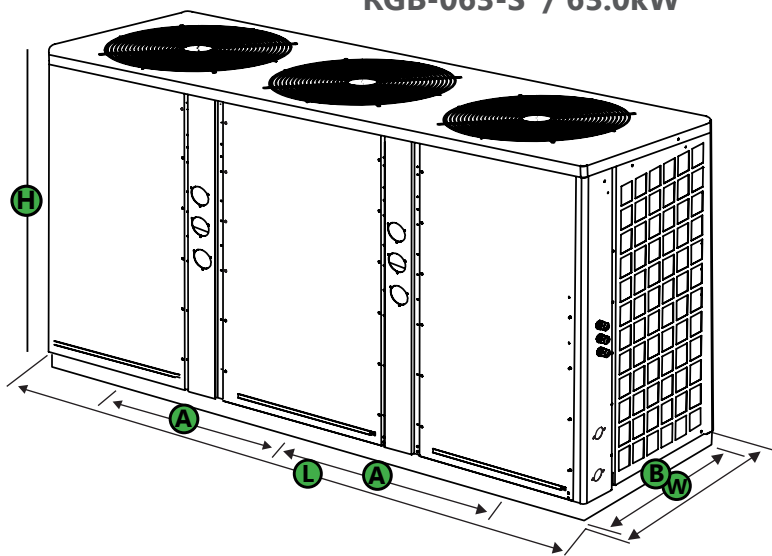
RGB-019-S / 19.0kW  
RGB-022-S / 22.8kW



RGB-030-S / 30.0kW  
RGB-038-S / 38.0kW  
RGB-045-S / 45.0kW



RGB-055-S / 55.0kW  
RGB-063-S / 63.0kW

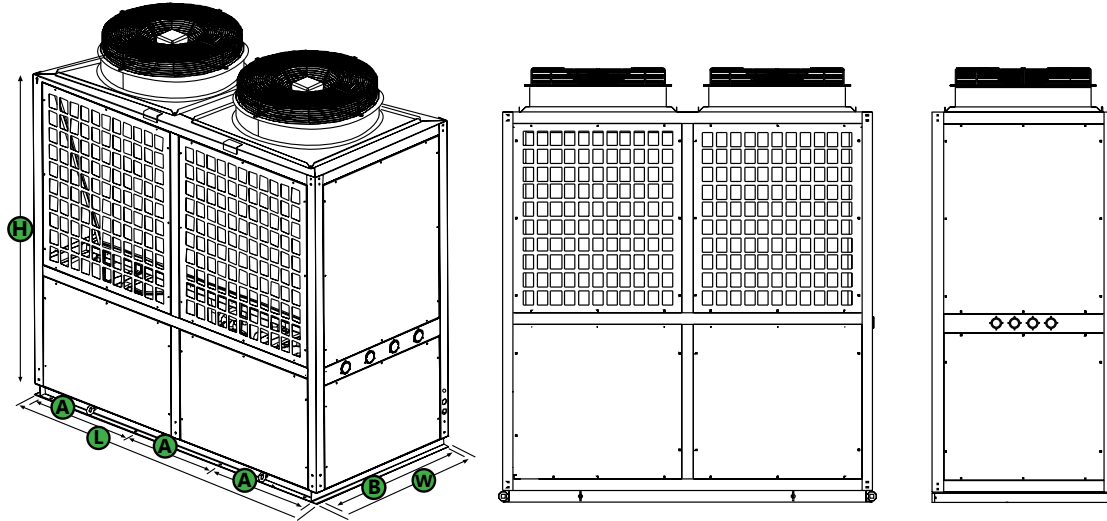


MODEL NUMBER	LENGTH (L)	WIDTH (W)	HIGHT (H)	(A)	(B)
RGB-019-S	752mm	690mm	965mm	470mm	785mm
RGB-022-S	752mm	690mm	965mm	470mm	785mm
RGB-030-S	1450mm	702mm	950mm	755mm	708mm
RGB-038-S	1450mm	702mm	1060mm	755mm	708mm
RGB-045-S	1450mm	702mm	1260mm	755mm	708mm
RGB-055-S	2150mm	765mm	1290mm	757.5mm	680mm
RGB-065-S	2150mm	765mm	1290mm	757.5mm	680mm

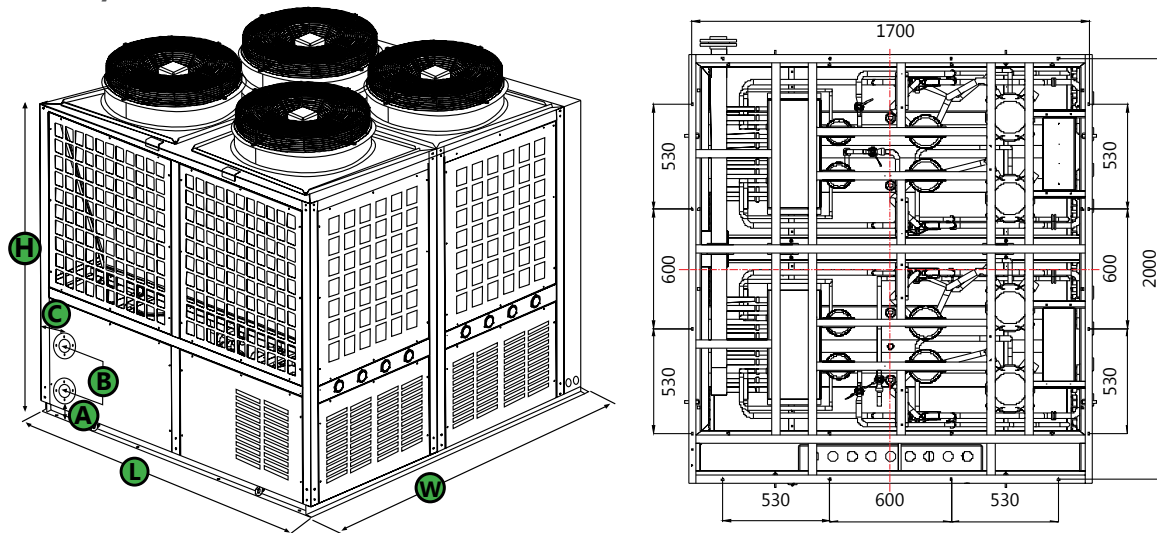
## DIMENSIONAL DATA

RGB RE-CIRCULATING RANGE - V COIL TYPE  
80.0kW - 250kW

RGB-080-V / 80.0kW  
RGB-100-V / 100kW  
RGB-125-V / 125kW



RGB-160-V / 160kW  
RGB-200-V / 200kW  
RGB-250-V / 250kW



MODEL NUMBER	LENGTH (L)	WIDTH (W)	HIGHT (H)	(A)	(B)	(C)
RGB-80-V	2000mm	900mm	1880mm	600mm	946mm	N/A
RGB-100-V	2000mm	900mm	1880mm	600mm	946mm	N/A
RGB-125-V	2000mm	900mm	1880mm	600mm	946mm	N/A
RGB-160-V	2000mm	1700mm	1880mm	210mm	400mm	150mm
RGB-200-V	2000mm	1700mm	1880mm	210mm	400mm	150mm
RGB-250-V	2000mm	1700mm	1880mm	210mm	400mm	150mm



**THANK YOU FOR CONSIDERING  
GREENBRO SOUTH AFRICA.**

**WE LOOK FORWARD TO THE  
PROSPECT OF WORKING  
TOGETHER.**

**GREENBRO**   
ENDORSED BY NATURE®

 **0860 GRNBRO / 0860 476 276**

**HEAD OFFICE**

Unit 9, 88 Richards Drive,  
Half Way House, Midrand, 1685  
South Africa

 **WE ARE ALSO LOCATED IN WC, EC & KZN**

 **www.greenbro.co.za**