

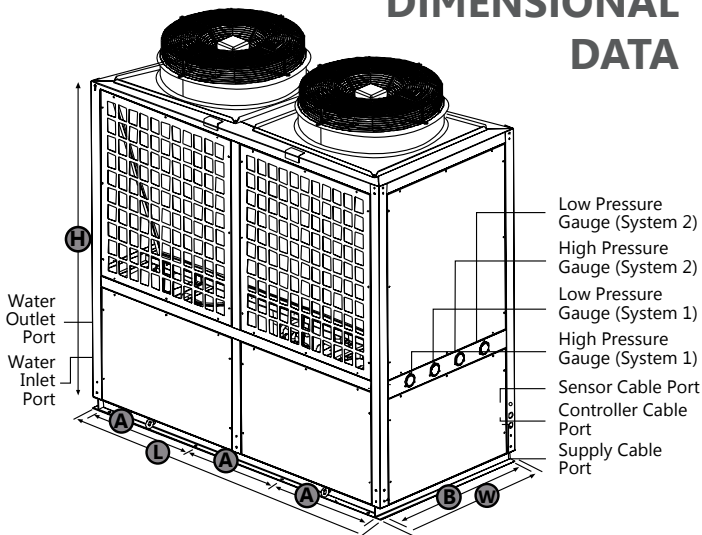
# HGB-068-V / 68kW Output High Temperature Heat Pump



## PRODUCT IMAGE



## DIMENSIONAL DATA



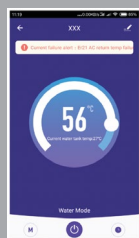
- A** Distance between supports - 600mm
- L** Length - 2000mm
- B** Width / Inc the supports - 946mm
- W** Width - 980mm
- H** Height - 1960mm

## SPECIAL FEATURES

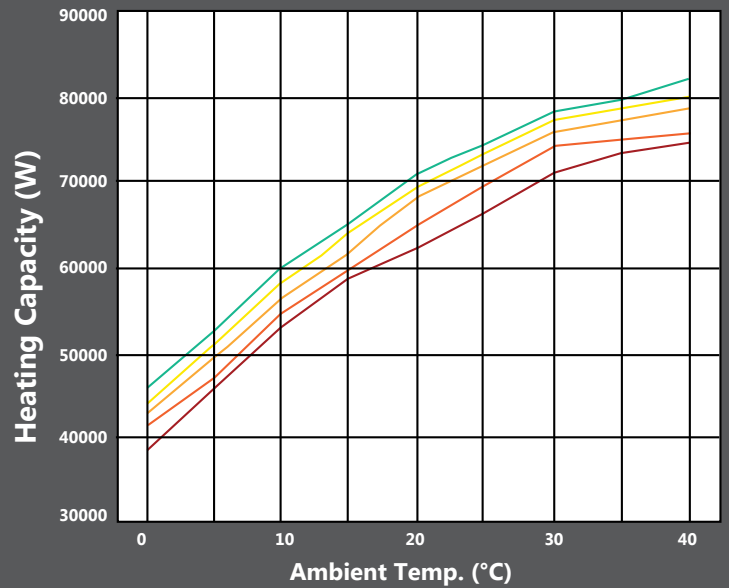
SMART LDC TOUCH SCREEN CONTROLLER



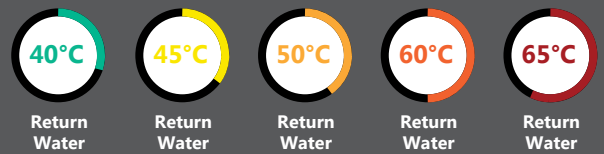
WI-FI ENABLED  
CONNECT TO SMART APP VIA  
YOUR MOBILE DEVICE



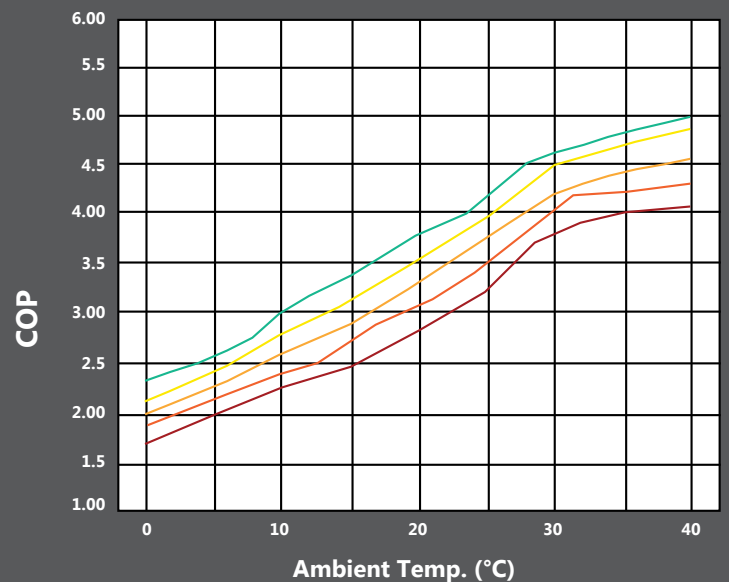
## HEATING CAPACITY



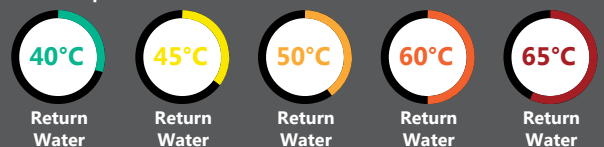
MEASURING CONDITION: Dry/Wet bulb temp. 20°C/15°C ; water inlet/outlet temp. 15°C/65°C



## COEFFICIENT OF PERFORMANCE (COP)



MEASURING CONDITION: Dry/Wet bulb temp. 20°C/15°C ; water inlet/outlet temp. 15°C/65°C



# HGB-068-V / 68kW Output High Temperature Heat Pump



OPERATIONAL DATA				
OPERATING DATA	<b>Heating Capacity</b>		kW	68
	<b>Power</b>	Power Supply	Ph-V-Hz	380V/3PH/50HZ
		Rated Input Consumption	kW	20
		Max Input Consumption	kW	30
		Rated Input Current	A	34.44
		Max Input Current	A	51.65
		Starting Current	A	134
		COP	W/W	3.40
	<b>Max Water Temp Setpoint</b>		°C	65
	<b>Max Outlet Water Temp</b>		°C	75
<b>Hot Water Yield</b>		L/h	1169	
<b>Recommended Water Flow</b>		m³/h	14.6	
<b>Working Temp (Ambient)</b>		°C	2°C~43°C	

GENERAL & PARTS DATA				
GENERAL & PARTS DATA	<b>Compressor</b>	Model		VR160KSE
		Type / Brand		Scroll / Copeland
		Compressor Qty	PCS	2
		Locked Rotor Amp	A	100
		Thermal Protector		Inner
		Capacitor	µF	None
	<b>Fan Motor</b>	Model		YWF.A6T-710S-7DIII500 / DUNLI
		Input	W	1000
		Capacitor	µF	/
		Speed	r/min	900
		Diameter of Fans	mm	710
		Air Flow	m³/h	13500
		Fan Motor Qty	PCS	2
	<b>Heat Exchanger</b>	Type		Copper Tube in Shell
		Qty	PCS	2
		Model / Brand		15 / Tuoqiu
	<b>Evaporator</b>	Diameter of Copper Pipe	mm	25.4x2
		Number of Rows		3
		Tube Pitch(a)x Row Pitch(b)	mm	25x22
		Fin Spacing	mm	2.2
		Fin Type		Hydrophilic Aluminum
		Tube Outer Diameter & Type	mm	Ø9.52 Innergroove Tube
		Coil Length x Width x Height	mm	2 x 1740x66x900
	<b>Four-Way Valve</b>	Number of Circuits		9 x 2
		Model / Brand		STF-1511G / Saginomiya
	<b>Expansion Device</b>	QTY		2
		Model / Brand		TGEN-8 067N5159 / Danfoss
	<b>Wire Controller</b>	Type		Thermostatic Expansion Valve
		Type		Intelligent Touch Screen
		Part Number		O01T0089
The Length of Control Cable		m	12	
<b>Water System</b>	Set Temp.	°C	30~75	
	Materials of Water Pipe		Copper	
	Water Flow	m³/h	14.6	
	Water Pressure Differential	Kpa	60	
	Water Inlet Connection Size	mm	DN50 / Female	
<b>Refrigerant HP &amp; LP Safety Cut-Out Pressure</b>	Water Outlet Connection Size	mm	DN50 / Female	
		Mpa	2.85/0.02	
<b>Refrigerant</b>	Gas Type		(R134A)	
	Gas Weight	g	2 x 6500g	
<b>Sound Pressure Level</b>		dB(A)	70	
<b>Dimensions</b>	Dimension(L*W*H)	mm	2000x980x1960	
	Packing(L*W*H)	mm	2130x1100x2150	
	NG/WG	kg	600/690	