

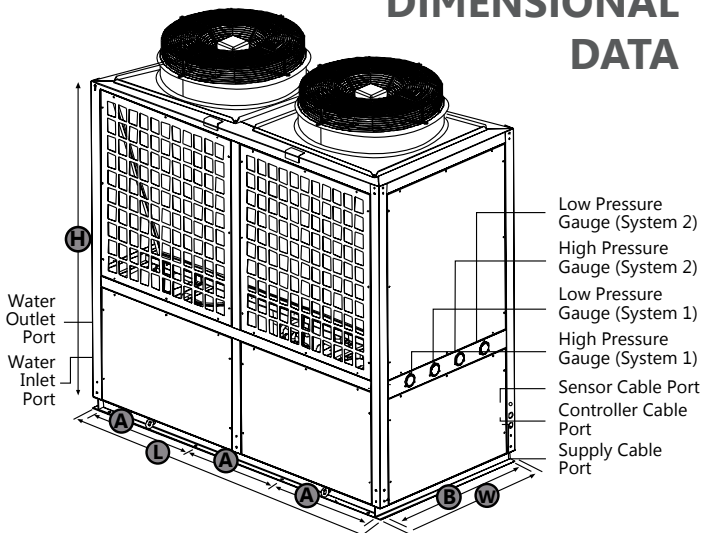
HGB-054-V / 54kW Output High Temperature Heat Pump



PRODUCT IMAGE



DIMENSIONAL DATA



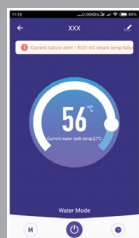
- A** Distance between supports - 600mm
- L** Length - 2000mm
- B** Width / Inc the supports - 946mm
- W** Width - 980mm
- H** Height - 1960mm

SPECIAL FEATURES

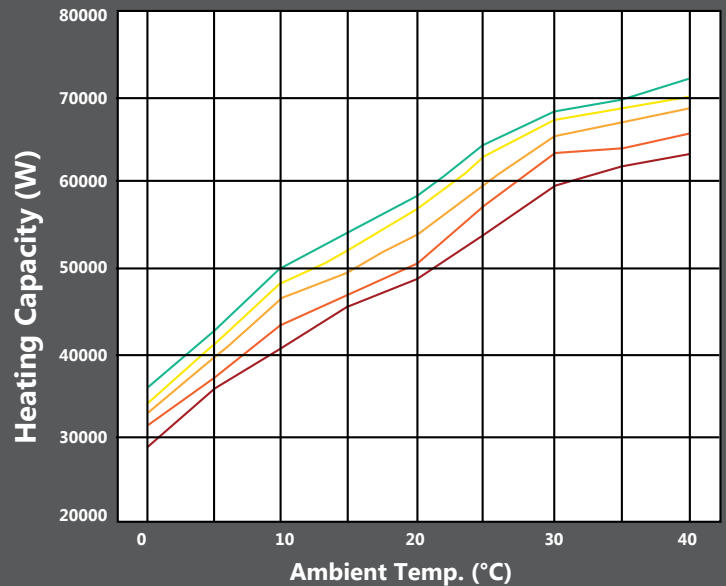
SMART LDC TOUCH SCREEN CONTROLLER



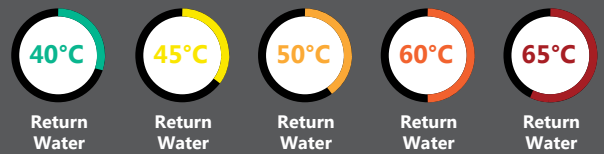
WI-FI ENABLED
CONNECT TO SMART APP VIA
YOUR MOBILE DEVICE



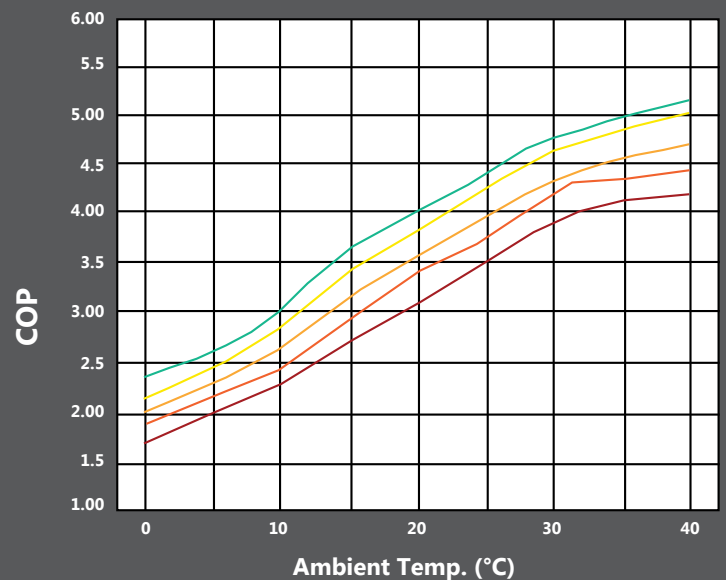
HEATING CAPACITY



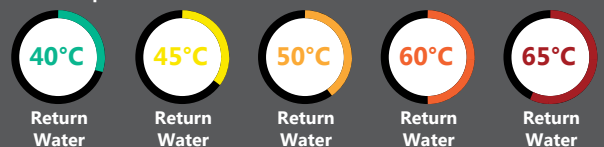
MEASURING CONDITION: Dry/Wet bulb temp. 20°C/15°C ; water inlet/outlet temp. 15°C/65°C



COEFFICIENT OF PERFORMANCE (COP)



MEASURING CONDITION: Dry/Wet bulb temp. 20°C/15°C ; water inlet/outlet temp. 15°C/65°C



HGB-054-V / 54kW Output High Temperature Heat Pump



OPERATIONAL DATA				
OPERATING DATA	Heating Capacity		kW	54
	Power	Power Supply	Ph-V-Hz	380V/3PH/50HZ
		Rated Input Consumption	kW	15.4
		Max Input Consumption	kW	23.1
		Rated Input Current	A	26.52
		Max Input Current	A	39.77
		Starting Current	A	107
		COP	W/W	3.51
	Max Water Temp Setpoint		°C	65
	Max Outlet Water Temp		°C	75
Hot Water Yield		L/h	929	
Recommended Water Flow		m³/h	11.6	
Working Temp (Ambient)		°C	2°C~43°C	

GENERAL & PARTS DATA					
GENERAL & PARTS DATA	Compressor	Model		ZW125KAE-TFP-522	
		Type / Brand		Scroll / Copeland	
		Compressor Qty	PCS		2
		Locked Rotor Amp	A		80
		Thermal Protector			Inner
		Capacitor	µF		None
	Fan Motor	Model			YWF.A6T-630S-5DIA00 / DUNLI
		Input	W		850
		Capacitor	µF		/
		Speed	r/min		1350
		Diameter of Fans	mm		630
		Air Flow	m³/h		10800
		Fan Motor Qty	PCS		2
	Heat Exchanger	Type			Copper Tube in Shell
		Qty	PCS		2
		Model / Brand			12 / Tuoqiu
	Evaporator	Diameter of Copper Pipe	mm		25.4x2
		Number of Rows			2
		Tube Pitch(a)x Row Pitch(b)	mm		25x22
		Fin Spacing	mm		2.2
		Fin Type			Hydrophilic Aluminum
		Tube Outer Diameter & Type	mm		Ø9.52 Innergroove Tube
		Coil Length x Width x Height	mm		2 x 1740x44x900
	Four-Way Valve	Number of Circuits			9 x 2
		Model / Brand			STF-0712G / Saginomiya
	Expansion Device	QTY			2
		Model / Brand			TGEN-7 067N5157 / Danfoss
	Wire Controller	Type			Thermostatic Expansion Valve
		Type			Intelligent Touch Screen
		Part Number			O01T0089
		The Length of Control Cable	m		12
	Water System	Set Temp.	°C		30~75
Materials of Water Pipe				Copper	
Water Flow		m³/h		11.6	
Water Pressure Differential		Kpa		60	
Water Inlet Connection Size		mm		DN50 / Female	
Refrigerant HP & LP Safety Cut-Out Pressure	Water Outlet Connection Size	mm		DN50 / Female	
			Mpa	2.85/0.02	
Refrigerant	Gas Type			(R134A)	
	Gas Weight	g		2 x 6000g	
Sound Pressure Level			dB(A)	70	
Dimensions	Dimension(L*W*H)	mm		2000x980x1960	
	Packing(L*W*H)	mm		2130x1100x2150	
	NG/WG	kg		530/620	