

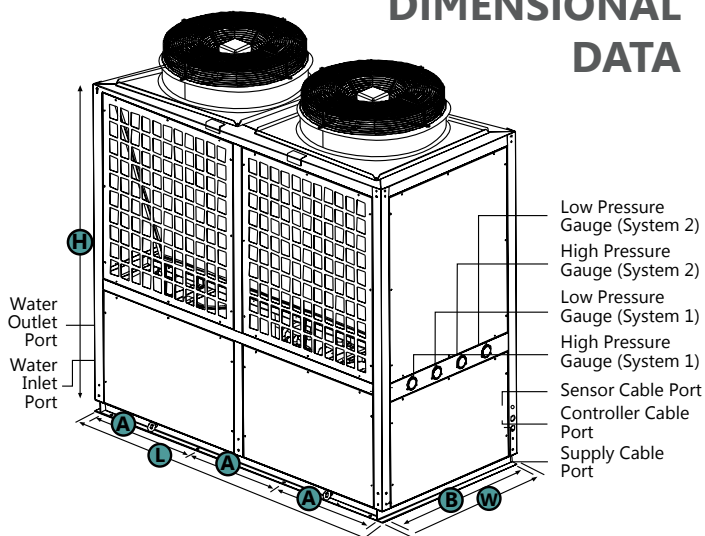
CGB-070-V / 70kW Output Constant Temperature Heat Pump



PRODUCT IMAGE



DIMENSIONAL DATA



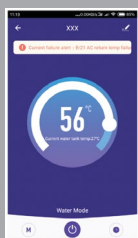
- A** Distance between supports - 600mm
- L** Length - 2000mm
- B** Width / Inc the supports- 946mm
- W** Width - 980mm
- H** Height - 1960mm

SPECIAL FEATURES

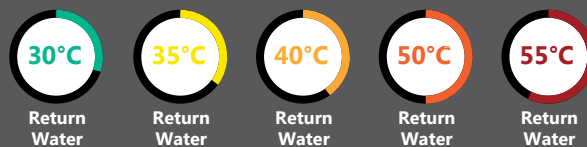
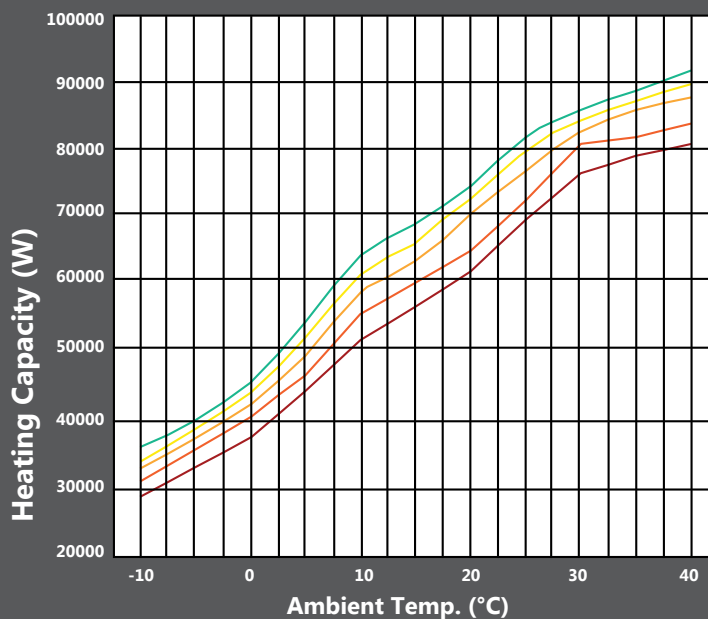
SMART LDC TOUCH SCREEN CONTROLLER



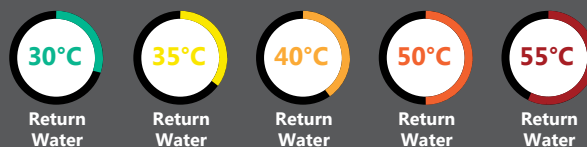
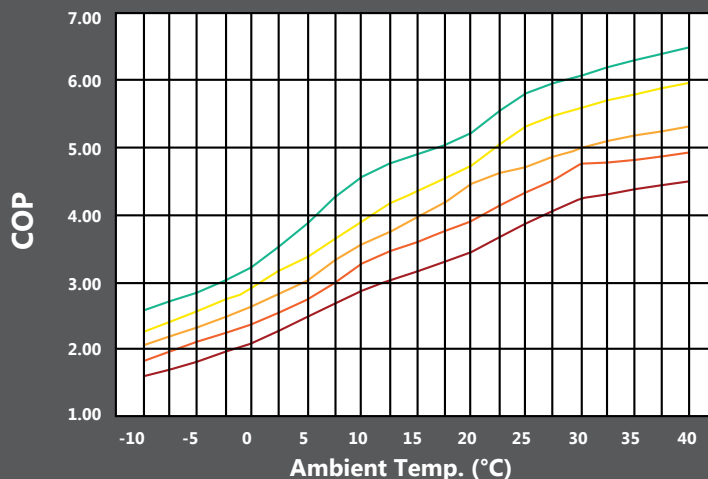
WI-FI ENABLED
CONNECT TO SMART APP VIA
YOUR MOBILE DEVICE



HEATING CAPACITY



COEFFICIENT OF PERFORMANCE (COP)



CGB-070-V / 70kW Output Constant Temperature Heat Pump



OPERATIONAL DATA				
OPERATING DATA	Heating Capacity		kW	70
	Power	Power Supply	Ph-V-Hz	380V/3PH/50HZ
		Rated Input Consumption	kW	17.3
		Max Input Consumption	kW	24.22
		Rated Input Current	A	30.96
		Max Input Current	A	43.34
		Starting Current	A	130
		COP	W/W	4.05
	Max Water Temp Setpoint		°C	65
	Max Outlet Water Temp		°C	65
Hot Water Yield		L/h	1505	
Recommended Water Flow		m³/h	15.0	
Working Temp (Ambient)		°C	-10°C~43°C	

GENERAL & PARTS DATA					
GENERAL & PARTS DATA	Compressor	Model		ZW125KA-TPF-522	
		Type / Brand		Scroll / Copeland	
		Compressor Qty	PCS		2
		Capacity	A		30.6
		Locked Rotor Amp	A		100
		Thermal Protector			Inner
	Capacitor	µF		None	
	Fan Motor	Model			YWF.A6T-630S-5DIIS00/ DUNLI
		Input	W		500
		Capacitor	µF		/
		Speed	r/min		900
		Diameter of Fans	mm		630
		Air Flow	m³/h		10800
		Fan Motor Qty	PCS		2
	Heat Exchanger	Type			Copper Tube in Shell
		Qty	PCS		2
		Model			12
		Diameter of Copper Pipe	mm		2 x 25.4
	Evaporator	Number of Rows			2
		Tube Pitch(a)x Row Pitch(b)	mm		25x22
		Fin Spacing	mm		2.2
		Fin Type			Hydrophilic Aluminum
		Tube Outer Diameter & Type	mm		Ø9.52 Innergroove Tube
		Coil Length x Width x Height	mm		2 x 1740x44x900
	Number of Circuits			2 x 9	
	Four-Way Valve	Model / Brand			STF-0712G / Saginomiya
	AC Contactor	Model / Brand			3TF3400-0X/AC220V/ Siemens
	Expansion Device	Type			Thermostatic Expansion Valve
	Wire Controller	Model / Brand			TGEL-11(067N2157) / Danfoss
		Type			Intelligent Touch Screen
		Part Number			O01T0089
		The Length of Control Cable	m		12
Water System	Set Temp.	°C		30~65	
	Materials of Water Pipe			Copper	
	Water Flow	m³/h		15.0	
	Water Pressure Differential	Kpa		60	
	Water Inlet Connection Size	mm		DN50 / Female	
Water Outlet Connection Size	mm		DN50 / Female		
Refrigerant HP & LP Safety Cut-Out Pressure		Mpa		3.0/0.02	
Refrigerant	Gas Type			(R417A)	
	Gas Weight	g		2 x 6200g	
Sound Pressure Level		dB(A)		68	
Dimensions	Dimension(L*W*H)	mm		2000x980x1960	
	Packing(L*W*H)	mm		2130x1100x1250	
	NG/WG	kg		530/620	