

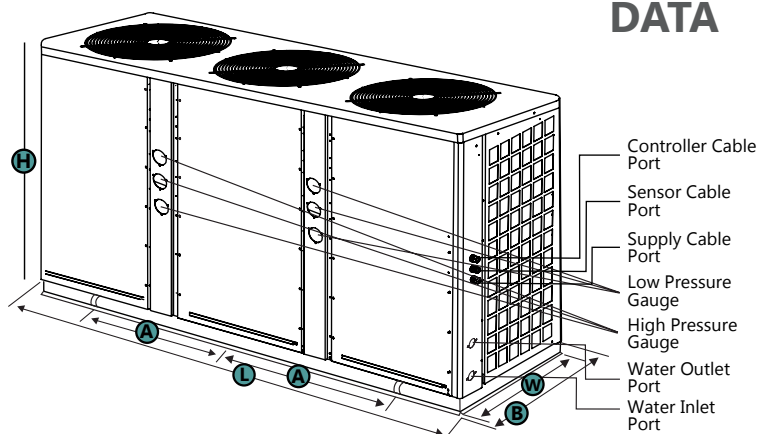
CGB-060-S / 60kW Output Constant Temperature Heat Pump



PRODUCT IMAGE



DIMENSIONAL DATA



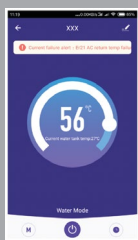
- A** Distance between supports - 757.5mm
- L** Length - 2150mm
- B** Width / Inc the supports - 680mm
- W** Width - 765mm
- H** Height - 1290mm

SPECIAL FEATURES

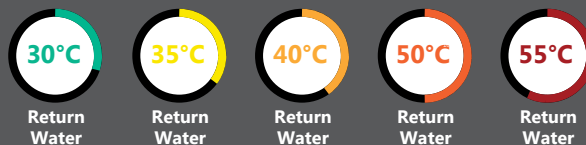
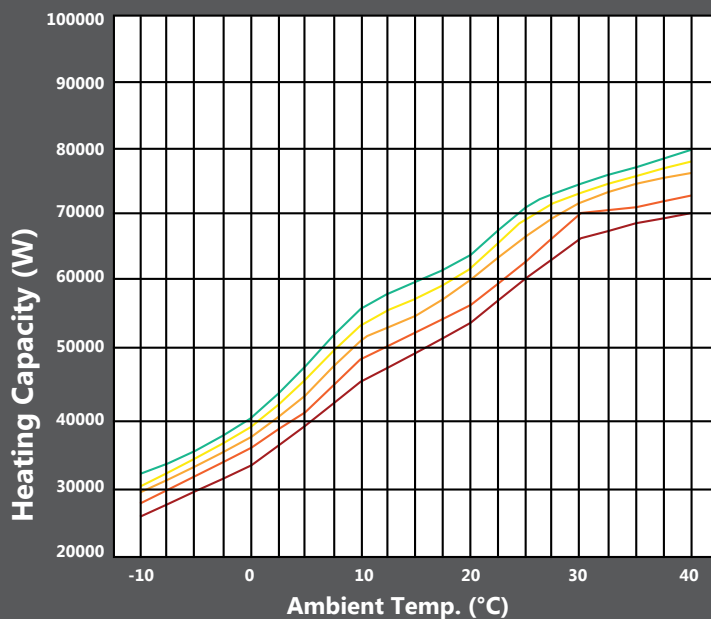
SMART LDC TOUCH SCREEN CONTROLLER



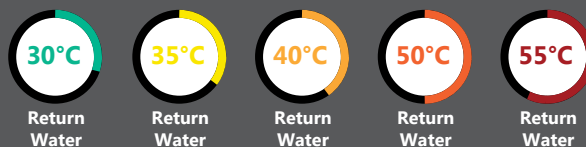
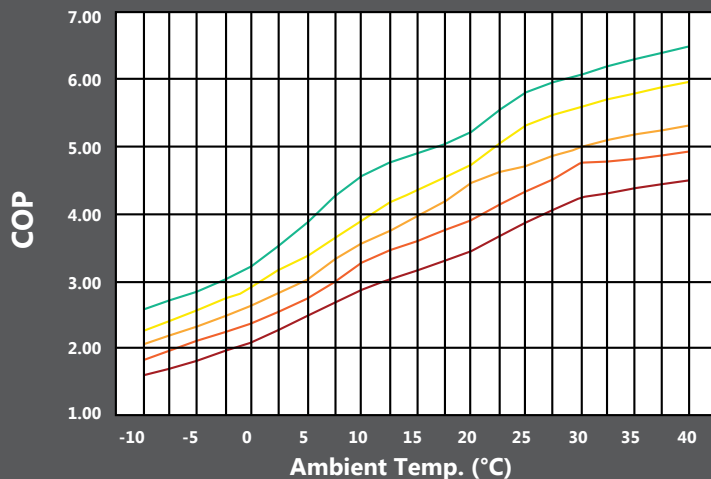
WI-FI ENABLED
CONNECT TO SMART APP VIA
YOUR MOBILE DEVICE



HEATING CAPACITY



COEFFICIENT OF PERFORMANCE (COP)



CGB-060-S / 60kW Output Constant Temperature Heat Pump



OPERATIONAL DATA				
OPERATING DATA	Heating Capacity		kW	60
	Power	Power Supply	Ph-V-Hz	380V/3PH/50HZ
		Rated Input Consumption	kW	15
		Max Input Consumption	kW	21.00
		Rated Input Current	A	26.84
		Max Input Current	A	37.58
		Starting Current	A	100
		COP	W/W	4.00
	Max Water Temp Setpoint		°C	65
	Max Outlet Water Temp		°C	65
Hot Water Yield		L/h	1290	
Recommended Water Flow		m³/h	12.9	
Working Temp (Ambient)		°C	-10°C~43°C	

GENERAL & PARTS DATA				
GENERAL & PARTS DATA	Compressor	Model		ZW72KA-TPF-52E
		Type / Brand		Scroll / Copeland
		Compressor Qty	PCS	3
		Capacity	A	17.6
		Locked Rotor Amp	A	58
		Thermal Protector		Inner
	Capacitor	µF	None	
	Fan Motor	Model		YDK-160G-6 / HELONG
		Input	W	320
		Capacitor	µF	10
		Speed	r/min	800/500
		Diameter of Fans	mm	556
		Air Flow	m³/h	7000
	Fan Motor Qty	PCS	3	
	Heat Exchanger	Type		Copper Tube in Shell
		Qty	PCS	2
		Model		7P
	Evaporator	Diameter of Copper Pipe	mm	19
		Number of Rows		3
		Tube Pitch(a)x Row Pitch(b)	mm	25x22
		Fin Spacing	mm	1,8
		Fin Type		Hydrophilic Aluminum
		Tube Outer Diameter & Type	mm	Ø9.52 Innergroove Tube
	Coil Length x Width x Height	mm	3 x 935x44x1200	
	Number of Circuits		21	
	Four-Way Valve	Model / Brand		STF-0408G / Saginomiya
	AC Contactor	Model / Brand		3TF3300-0X/AC220V/ Siemens
	Expansion Device	Type		Thermostatic Expansion Valve
	Wire Controller	Model / Brand		TCBE-2 (068U4202) / Danfoss
		Type		Intelligent Touch Screen
		Part Number		O01T0089
		The Length of Control Cable	m	12
Water System	Set Temp.	°C	30~65	
	Materials of Water Pipe		Copper	
	Water Flow	m³/h	12.9	
	Water Pressure Differential	Kpa	57	
	Water Inlet Connection Size	mm	DN50 / Female	
Water Outlet Connection Size	mm	DN50 / Female		
Refrigerant HP & LP Safety Cut-Out Pressure		Mpa	2.85/0.02	
Refrigerant	Gas Type		(R417A)	
	Gas Weight	g	3 x 2700g	
Sound Pressure Level		dB(A)	63	
Dimensions	Dimension(L*W*H)	mm	2150x765x1290	
	Packing(L*W*H)	mm	2250x865x1450	
	NG/WG	kg	428/490	