

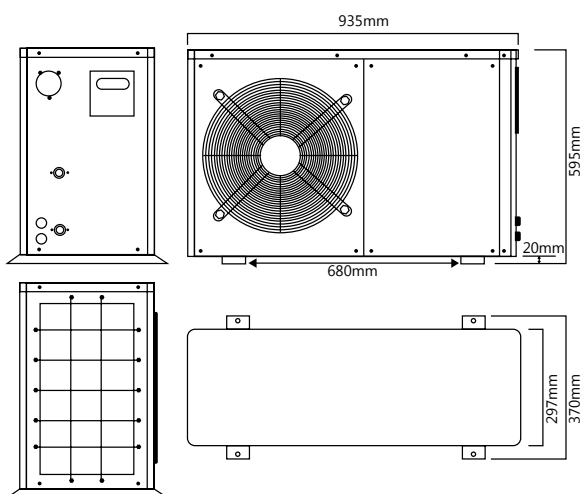
RGB-005-S / 5.2kW Output Re-circulating Heat Pump



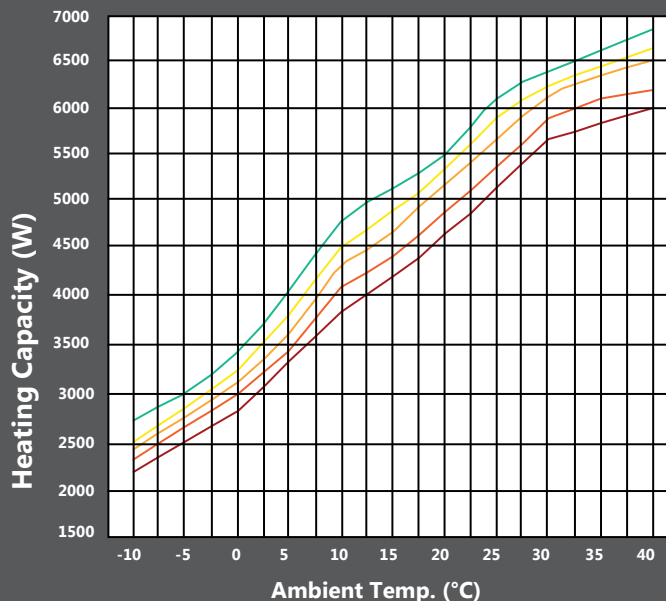
PRODUCT IMAGE



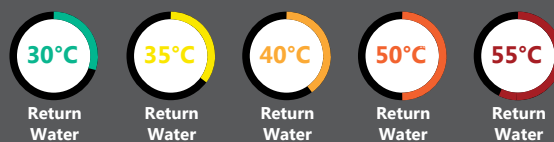
DIMENSIONAL DATA



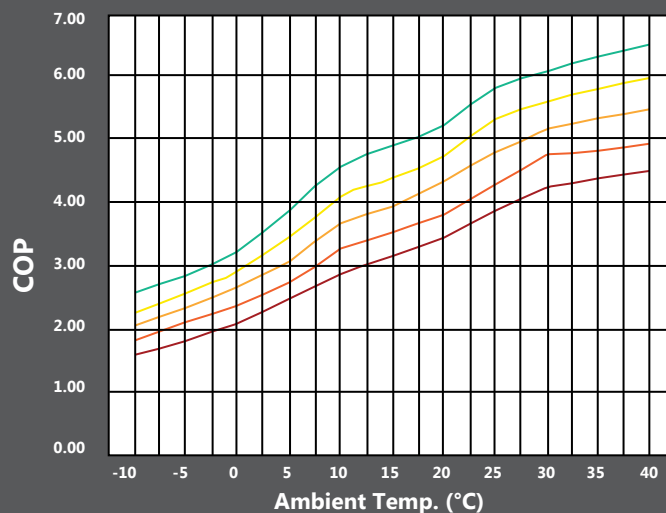
HEATING CAPACITY



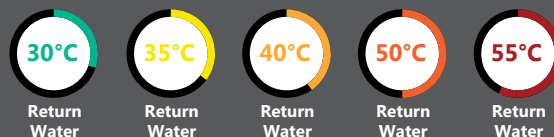
MEASURING CONDITION: Dry/Wet bulb temp. 20°C/15°C ; water inlet/outlet temp. 15°C/55°C



COEFFICIENT OF PERFORMANCE (COP)



MEASURING CONDITION: Dry/Wet bulb temp. 20°C/15°C ; water inlet/outlet temp. 15°C/55°C

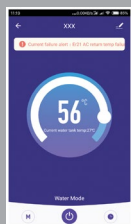


SPECIAL FEATURES

SMART LDC CONTROLLER



WI-FI ENABLED
CONNECT TO SMART APP VIA
YOUR MOBILE DEVICE



RGB-005-S / 5.2kW Output Re-circulating Heat Pump



OPERATIONAL DATA			
OPERATING DATA	Heating Capacity		kW 5.2
	Power	Power Supply	Ph-V-Hz 220V/1PH/50HZ
		Rated Input Consumption	kW 1.2
		Max Input Consumption	kW 1.9
		Rated Input Current	A 5.6
		Max Input Current	A 9
		Starting Current	A 28
		COP	W/W 3.91
	Max Water Temp Setpoint		°C 55
	Max Outlet Water Temp		°C 60
Hot Water Yield		L/h 107	
Recommended Water Flow		m³/h 1.1	
Working Temp (Ambient)		°C -15°C~43°C	
GENERAL & PARTS DATA			
GENERAL & PARTS DATA	Compressor	Model	PA160X2C-4FT
		Type / Brand	Rotary / Toshiba
		Compressor Qty	PCS 1
		Rated Current	A 6.25
		Locked Rotor Amp	A 28
		Thermal Protector	Inner
		Capacitor	µF 35
	Fan Motor	Model	YDK-25-6-2 / HELONG
		Input	W 70
		Capacitor	µF 2
		Speed	r/min 820/450
		Diameter of Fans	mm 400
		Fan Motor Qty	PCS 1
	Heat Exchanger	Type	Copper Tube in Shell
		Qty	PCS 1
		Diameter of Copper Pipe	mm 19
	Evaporator	Length	m 2.63
		Fin Spacing	mm 1.6
		Fin Type	Hydrophilic Aluminum
	Four-Way Valve	Tube Outer Diameter & Type	mm Ø9.52 Innergroove Tube
	AC Contactor	Model / Brand	STF-0108G / Saginomiya
	Expansion Device	Model / Brand	Relay
	Expansion Device	Type	Capillary Tube
	Water Pump	Model / Brand	Grundfos / UPS015-60
	Water Pump	Type	Intelligent & LCD
	Wire Controller	Part Number	Q01T0093
		The Length of Control Cable	m 12
		Set Temp.	°C 25~55
	Water System	Materials of Water Pipe	Copper
		Water Flow	m³/h 1.1
		Water Pressure Differential	Kpa 50
		Water Inlet Connection Size	mm 3/4" (DN20)
		Water Outlet Connection Size	mm 3/4" (DN20)
Refrigerant	Gas Type	(R410A)	
	Gas Weight	g 850	
Sound Pressure Level (1m)		dB(A) 53	
Dimensions	Dimension(L*W*H)	mm 935 x 297 x 595	
	Packing(L*W*H)	mm 1060 x 380 x 630	
	NG/WG	kg 55 / 65	