

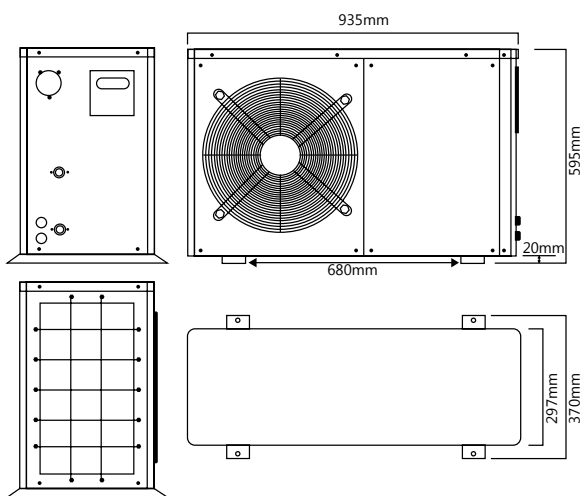
RGB-003-S / 3.6kW Output Re-circulating Heat Pump



PRODUCT IMAGE



DIMENSIONAL DATA



SPECIAL FEATURES

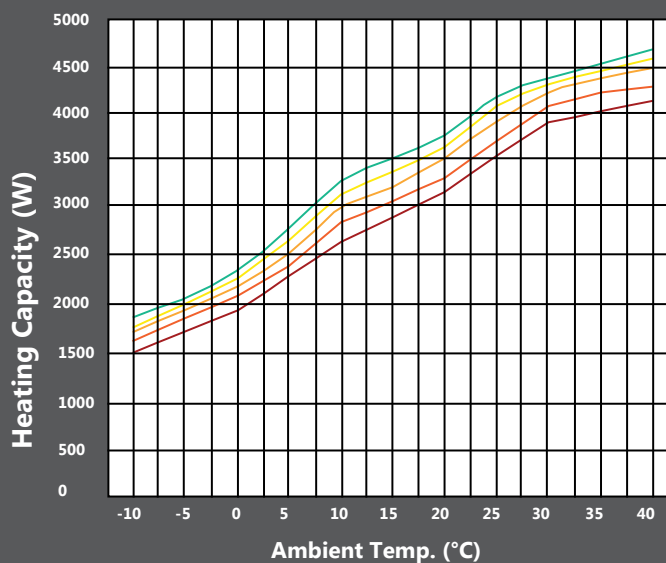
SMART LDC CONTROLLER



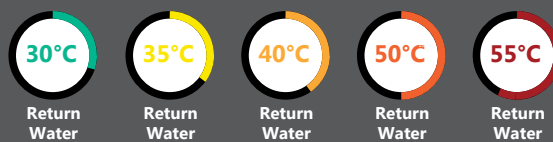
WI-FI ENABLED
CONNECT TO SMART APP VIA
YOUR MOBILE DEVICE



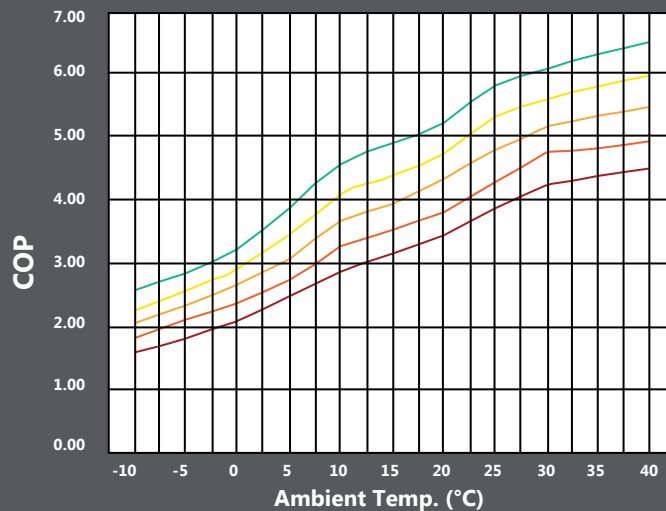
HEATING CAPACITY



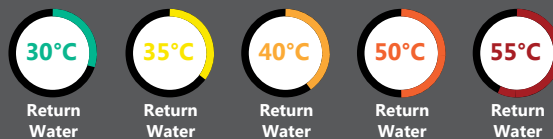
MEASURING CONDITION: Dry/Wet bulb temp. 20°C/15°C ; water inlet/outlet temp. 15°C/55°C



COEFFICIENT OF PERFORMANCE (COP)



MEASURING CONDITION: Dry/Wet bulb temp. 20°C/15°C ; water inlet/outlet temp. 15°C/55°C



RGB-003-S / 3.6kW Output Re-circulating Heat Pump



OPERATIONAL DATA				
OPERATING DATA	Heating Capacity		kW	3.6
	Power	Power Supply	Ph-V-Hz	220V/1PH/50HZ
		Rated Input Consumption	kW	0.9
		Max Input Consumption	kW	1.3
		Rated Input Current	A	3.97
		Max Input Current	A	6
		Starting Current	A	18
		COP	W/W	3.89
	Max Water Temp Setpoint		°C	55
	Max Outlet Water Temp		°C	60
Hot Water Yield		L/h	75	
Recommended Water Flow		m³/h	0.8	
Working Temp (Ambient)		°C	-15°C~43°C	
GENERAL & PARTS DATA				
GENERAL & PARTS DATA	Compressor	Model		KN104VGMMC
		Type / Brand		Rotary / Mitsubishi
		Compressor Qty	PCS	1
		Rated Current	A	4.1
		Locked Rotor Amp	A	18
		Thermal Protector		Inner
		Capacitor	µF	25
	Fan Motor	Model		YDK-20A-6-2 / HELONG
		Input	W	65
		Capacitor	µF	2
		Speed	r/min	870/430
		Diameter of Fans	mm	320
		Fan Motor Qty	PCS	1
	Heat Exchanger	Type		Copper Tube in Shell
		Qty	PCS	1
		Diameter of Copper Pipe	mm	16
	Evaporator	Length	m	2.4
		Fin Spacing	mm	1.6
		Fin Type		Hydrophilic Aluminum
	Four-Way Valve	Tube Outer Diameter & Type	mm	Ø9.52 Innergroove Tube
	AC Contactor	Model / Brand		STF-0108G / Saginomiya
	Expansion Device	Model / Brand		Relay
	Expansion Device	Type		Capillary Tube
	Water Pump	Model / Brand		Grundfos / UPS015-60
	Water Pump	Type		Intelligent & LCD
	Wire Controller	Part Number		Q01T0093
		The Length of Control Cable	m	12
		Set Temp.	°C	25~55
	Water System	Materials of Water Pipe		Copper
		Water Flow	m³/h	0.8
		Water Pressure Differential	Kpa	60
		Water Inlet Connection Size	mm	3/4" (DN20)
		Water Outlet Connection Size	mm	3/4" (DN20)
Refrigerant	Gas Type		(R410A)	
	Gas Weight	g	650	
Sound Pressure Level (1m)		dB(A)	52	
Dimensions	Dimension(L*W*H)	mm	935 x 297 x 595	
	Packing(L*W*H)	mm	1060 x 380 x 630	
	NG/WG	kg	40 / 48	